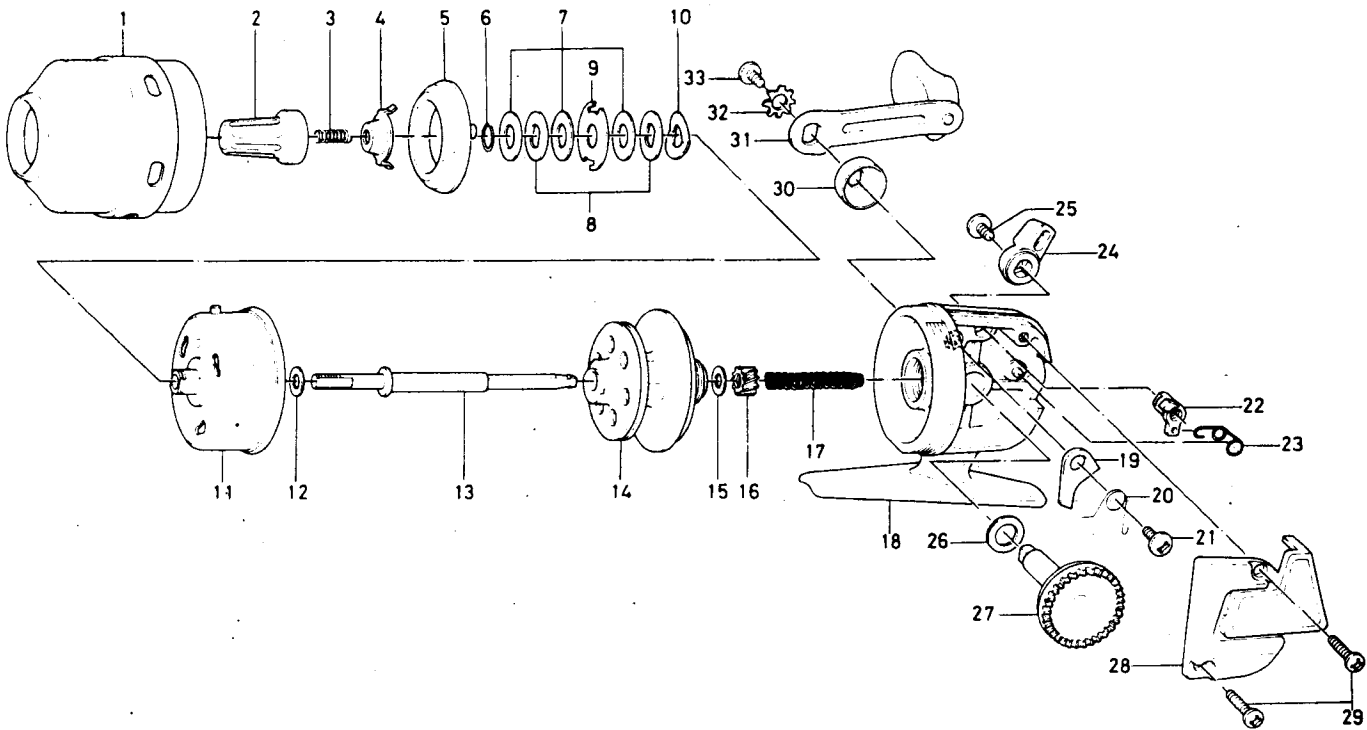


SPINCASTING REEL

MINICAST-2 (MC-2)



Key No.	Parts No.	Parts Name
1	6-755-1702	Front cover
2	6-441-6001	Drag knob
3	6-145-1501	Drag spring
4	6-376-1312	Drag adjusting plate
5	6-330-4601	Line stopper
6	6-171-7801	Drag washer retainer
7	6-376-1101	Drag washer A
8	6-376-1001	Drag washer B
9	6-376-1201	Drag washer C
10	6-150-6801	Drag washer D
11	6-736-7301	Rotor assembly
12	6-376-0901	Rotor washer
13	6-711-4911	Main shaft
14	6-800-1440	Spool
15	6-373-4501	Pinion washer
16	6-402-3301	Pinion gear
17	6-144-0701	Main shaft spring

Key No.	Parts No.	Parts Name
18	6-193-3802	Body
19	6-111-8501	Anti-reverse claw
20	6-144-5111	Anti-reverse claw spring
21	6-350-1931	Anti-reverse claw screw
22	6-461-7601	Anti-reverse cam
23	6-809-1401	Anti-reverse cam spring
24	6-541-3132	Anti-reverse lever
25	6-351-4701	Anti-reverse lever screw
26	6-373-0100	Drive gear washer
27	6-413-1511	Drive gear
28	6-707-0102	Body cover
29	6-351-1101	Body cover screw
30	6-636-0401	Handle cap
31	6-747-7201	Handle
32	6-160-8001	Handle washer
33	6-352-1102	Handle screw