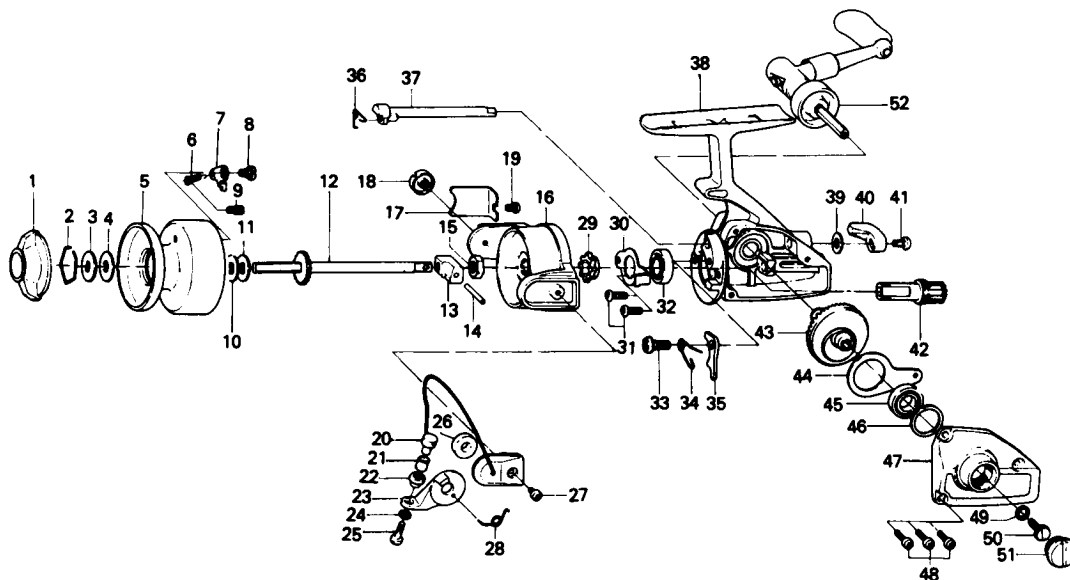


SPINNING REEL **Mini-Mite (MM-1)**



LINE CAPACITY: 110 YDS., 4 LB. TEST (100m. 1.8kg)

Key No. 2 ~ 9

6-732-2711 Spool assembly \$6.35

Key No.	Parts No.	Parts Name	Price Per Piece	Key No.	Parts No.	Parts Name	Price Per Piece
1	6-740-2801	Drag knob	\$.90	27	6-352-0401	Bail holder screw	\$.10
2	6-170-7701	Drag washer retainer	.10	28	6-144-3821	Bail spring	.15
3	6-374-9802	Drag D. washer	.10	29	6-280-6211	Ratchet	.35
4	6-374-3602	Disc washer	.20	30	6-320-8811	Ball bearing ret. washer	.30
5	6-513-6102	Spool	N/A	31	6-351-0901	Ball bearing ret. washer screw	.10
6	6-142-0011	Spool click claw spring	.15	32	6-634-1301	Ball bearing	3.00
7	6-030-5311	Spool click claw	.35	33	6-363-4201	Anti-reverse claw screw	.15
8	6-363-4501	Spool click claw screw	.15	34	6-144-3711	Anti-reverse claw spring	.10
9	6-361-7402	Spool click claw spring screw	.15	35	6-111-4801	Anti-reverse claw	.20
10	6-372-3501	Spool washer	.10	36	6-144-3601	Anti-reverse cam spring	.10
11	6-372-3502	Spool adjusting washer	.10	37	6-461-3601	Anti-reverse cam	.75
12	6-711-0401	Main shaft	.70	38	6-700-7704	Body	7.50
13	6-636-3601	Oscillating support	.35	39	6-371-6903	Anti-reverse lever washer	.10
14	6-121-7901	Oscillating slider pin	.10	40	6-541-3701	Anti-reverse lever	.20
15	6-341-9201	Rotor nut	.20	41	6-353-4401	Anti-reverse lever screw	.10
16	6-201-8511	Rotor	3.65	42	6-402-2201	Pinion gear	1.35
17	6-040-7101	Bail spring cover	.15	43	6-413-4101	Drive gear	.75
18	6-363-4301	Arm lever screw	.10	44	6-481-1321	Oscillating slider	.25
19	6-351-0901	Bail spring cover screw	.10	45	6-634-1301	Ball bearing	3.00
20	6-725-6511	Bail	2.05	46	6-372-8600	Drive gear washer	.10
21	6-250-1901	Line roller	.30	47	6-706-2102	Body cover	2.80
22	6-501-4411	Roller collar	.20	48	6-351-7801	Body cover screw	.10
23	6-231-2111	Arm lever	1.15	49	6-372-4601	Handle washer	.10
24	6-375-4301	Bail washer	.10	50	6-362-1001	Handle screw	.25
25	6-363-4411	Bail screw	.20	51	6-363-6001	Handle screw cap	.55
26	6-210-6401	Balancer	.20	52	6-746-3312	Handle	3.40