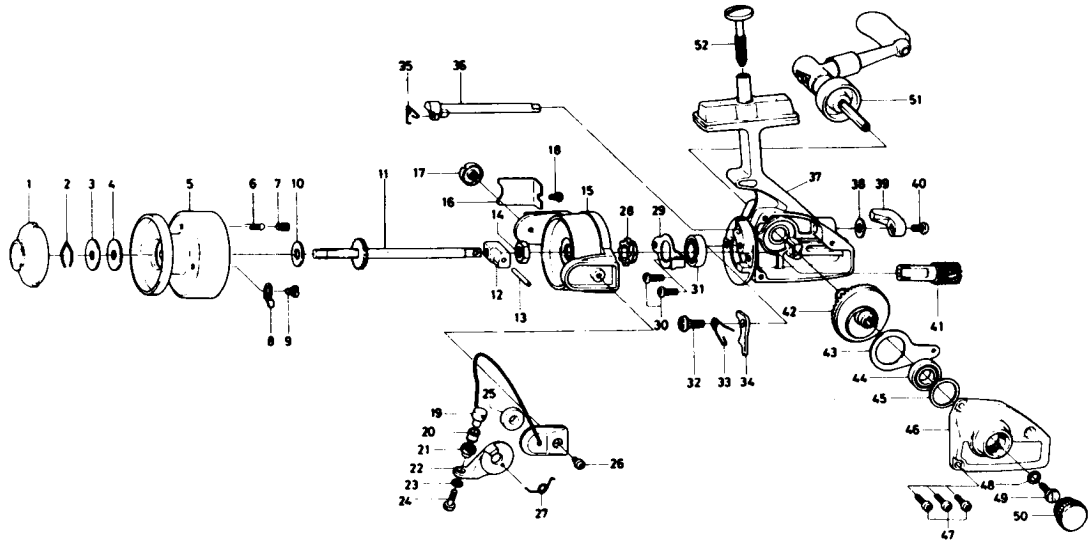


SPINNING REEL **Mini-Spin (MS-1)**



LINE CAPACITY: 110 YDS., 4 LB. TEST (100m. 1.8kg)

Key No. 2 ~ 9

6-732-2712 Spool assembly \$6.35

Key No.	Parts No.	Parts Name	Price Per Piece	Key No.	Parts No.	Parts Name	Price Per Piece
1	6-740-2801	Drag knob	\$.90	27	6-144-3821	Bail spring	\$.15
2	6-170-7701	Drag washer retainer	.10	28	6-280-6211	Ratchet	.35
3	6-374-9801	Drag D washer	.10	29	6-320-8811	Ball bearing ret. washer	.30
4	6-374-3602	Disc washer	.20	30	6-351-0901	Ball bearing ret. washer screw	.10
5	6-513-6103	Spool	N/A	31	6-634-1301	Ball bearing	3.00
6	6-142-0011	Spool click claw spring	.15	32	6-363-4201	Anti-reverse claw screw	.15
7	6-361-7402	Spool click claw spring screw	.15	33	6-144-3711	Anti-reverse claw spring	.10
8	6-030-5311	Spool click claw	.35	34	6-111-4801	Anti-reverse claw	.20
9	6-363-4501	Spool click claw screw	.15	35	6-144-3601	Anti-reverse cam spring	.10
10	6-372-3501	Spool washer	.10	36	6-461-3601	Anti-reverse cam	.75
11	6-711-0401	Main shaft	.70	37	6-700-9901	Body	6.75
12	6-636-3601	Oscillating support	.35	38	6-371-6903	Anti-reverse lever washer	.10
13	6-121-7901	Oscillating slider pin	.10	39	6-541-3701	Anti-reverse lever	.20
14	6-341-9201	Rotor nut	.20	40	6-353-4401	Anti-reverse lever screw	.10
15	6-201-8511	Rotor	3.65	41	6-402-2201	Pinion gear	1.35
16	6-040-7101	Bail spring cover	.15	42	6-413-4101	Drive gear	.75
17	6-363-4301	Arm lever screw	.10	43	6-481-1321	Oscillating slider	.25
18	6-351-0901	Bail spring cover screw	.10	44	6-636-6601	Bearing metal	.25
19	6-725-6511	Bail	2.05	45	6-372-8600	Drive gear washer	.10
20	6-250-1901	Line roller	.30	46	6-706-2103	Body cover	2.80
21	6-501-4411	Roller collar	.20	47	6-351-7801	Body cover screw	.10
22	6-231-2111	Arm lever	1.15	48	6-372-4601	Handle washer	.10
23	6-375-4301	Bail washer	.10	49	6-362-1001	Handle screw	.25
24	6-363-4411	Bail screw	.20	50	6-363-6001	Handle screw cap	.55
25	6-210-6401	Balancer	.20	51	6-746-3312	Handle	3.40
26	6-352-0401	Bail holder screw	.10	52	6-363-6701	Reel retaining screw	.70