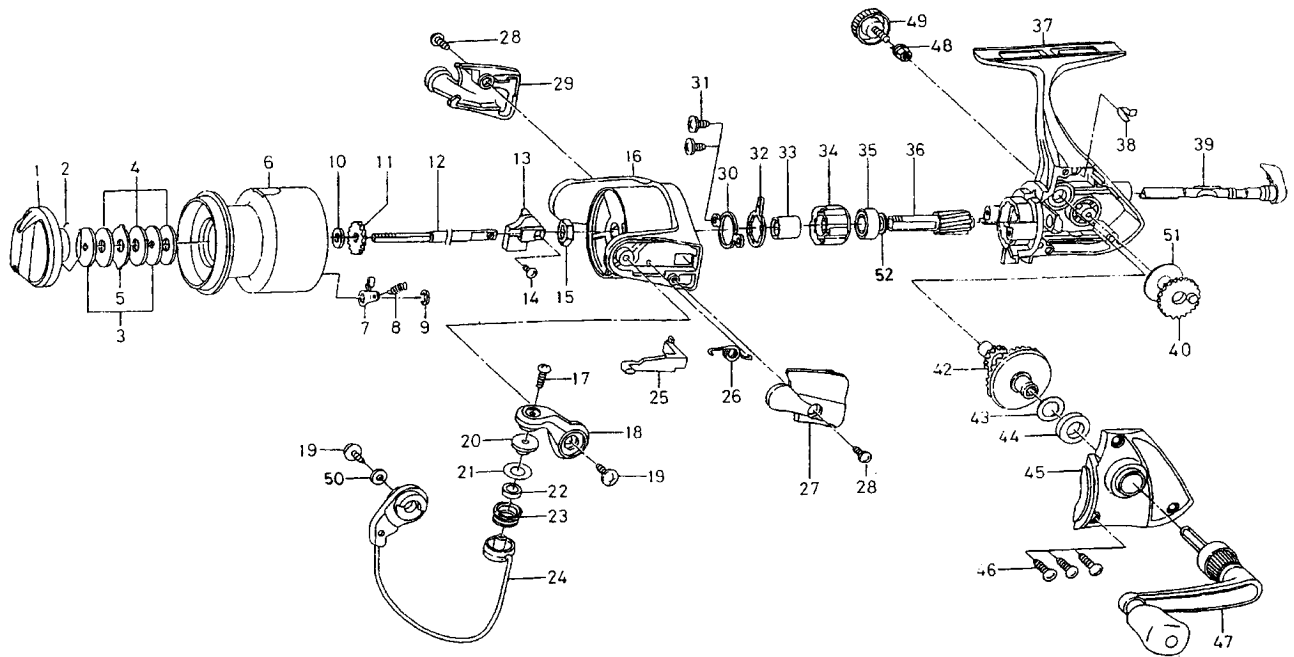


# REGAL-S2500i



Key No.	Parts No.	Parts Name
2-9	F75-2101	SPOOL
1	F77-7605	DRAG KNOB
2	F37-3301	DRAG WASHER RET
3	E46-7201	KEY WASHER
4	E13-6001	DRAG WASHER
5	373-3603	EARED WASHER
7	B07-5304	CLICK PAWL
8	E40-3101	CLICK SPRING
9	320-5901	CLICK RET
10	E46-7101	SPOOL WASHER
11	270-6501	CLICK GEAR
12	F45-4501	MAIN SHAFT
13	F67-7502	OSC SLIDER
14	351-0315	OSC SLIDER SCREW
15	F33-6102	ROTOR NUT
16	F41-6316	ROTOR
17	F67-7901	LINE ROLLER SCREW
18	F45-2302	BAIL ARM
19	B84-2102	BAIL HOLDER SCREW
20	F44-6302	LINE ROLLER COLLAR
21	F44-6202	LINE ROLLER WASHER
22	F47-3401	LINE ROLLER BUSHING
23	F47-2402	LINE ROLLER
24	F60-3306	BAIL
25	E45-1601	BAIL TRIP LEVER
26	F80-0701	BAIL SPRING

Key No.	Parts No.	Parts Name
27	F31-0323	BAIL SPRING COVER
28	E36-4202	BAIL SPRING COVER SCREW
29	F35-2317	BAIL TRIP COVER
30	F67-7301	BEARING RET
31	E33-0402	BEARING RET SCREW
32	F62-2201	ROLLER CLUTCH RET
33	F67-7201	SPACING SLEEVE
34	F62-2001	ROLLER CLUTCH
35	L03-6601	BALL BEARING
36	F67-7101	PINION GEAR
37	F75-1002	BODY
38	F12-2001	A/R CAM SPRING
39	F67-6906	A/R LEVER
40	F67-7401	OSC GEAR
42	F17-0001	DRIVE GEAR
43	373-7808	DRIVE GEAR WASHER
44	F62-6701	SIDE COVER BUSHING
45	F75-1102	SIDE COVER
46	B00-9701	SIDE COVER SCREW
47	F75-2001	HANDLE
48	F72-1001	HANDLE COLLAR
49	F67-6503	HANDLE SCREW
50	F40-1001	BAIL HOLDER WASHER
51	F76-7701	OSC GEAR WASHER
52	375-8504	PINION WASHER