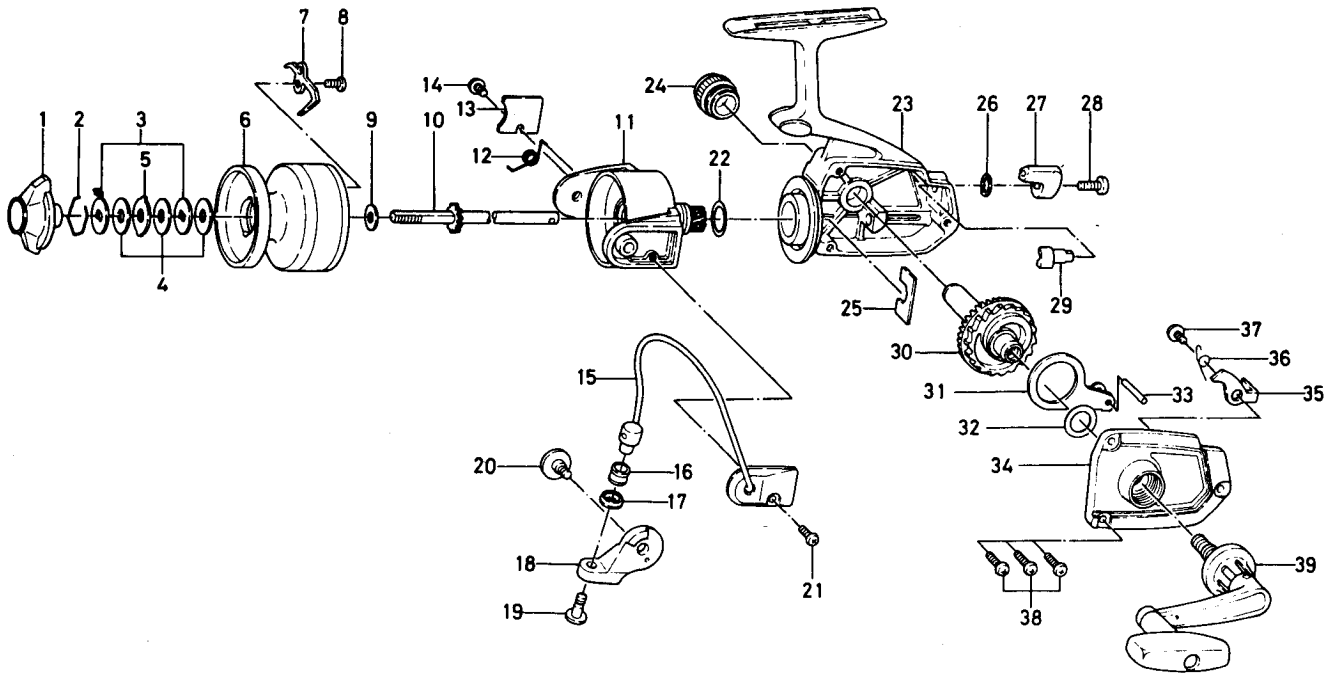


SPINNING REEL 100RL



KEY NO. 2 ~ 8

734-0702

SPOOL ASSEMBLY

Key No.	Parts No.	Parts Name	Key No.	Parts No.	Parts Name
1	740-2304	Drag knob	21	351-1001	Bail holder screw
2	170-7701	Drag washer retainer	22	372-8600	Rotor washer
3	374-9802	Drag D washer	23	B38-6501	Body
4	374-3602	Disc washer	24	363-7401	Handle screw cap
5	374-3802	Drag A washer	25	632-6601	Pinion retainer
6	734-0802	Spool	26	150-1751	Anti-reverse lever washer
7	030-4511	Spool click claw	27	541-6901	Anti-reverse lever
8	350-1931	Spool click claw screw	28	351-8301	Anti-reverse lever screw
9	B40-3102	Spool washer	29	461-7701	Anti-reverse cam
10	711-5001	Main shaft	30	414-1701	Drive gear
11	736-7503	Rotor	31	481-2901	Oscillating slider
12	145-1801	Bail spring	32	371-2800	Drive gear washer
13	040-5001	Bail spring cover	33	121-1211	Oscillating slider pin
14	351-1801	Bail spring cover screw	34	B38-6601	Body cover
15	725-5911	Bail	35	111-4501	Anti-reverse claw
16	250-3921	Line roller	36	144-8211	Anti-reverse claw spring
17	501-1401	Roller collar	37	351-7701	Anti-reverse claw screw
18	231-1501	Arm lever	38	351-8501	Body cover screw
19	353-1811	Bail screw	39	747-7801	Handle
20	363-2201	Arm lever screw			