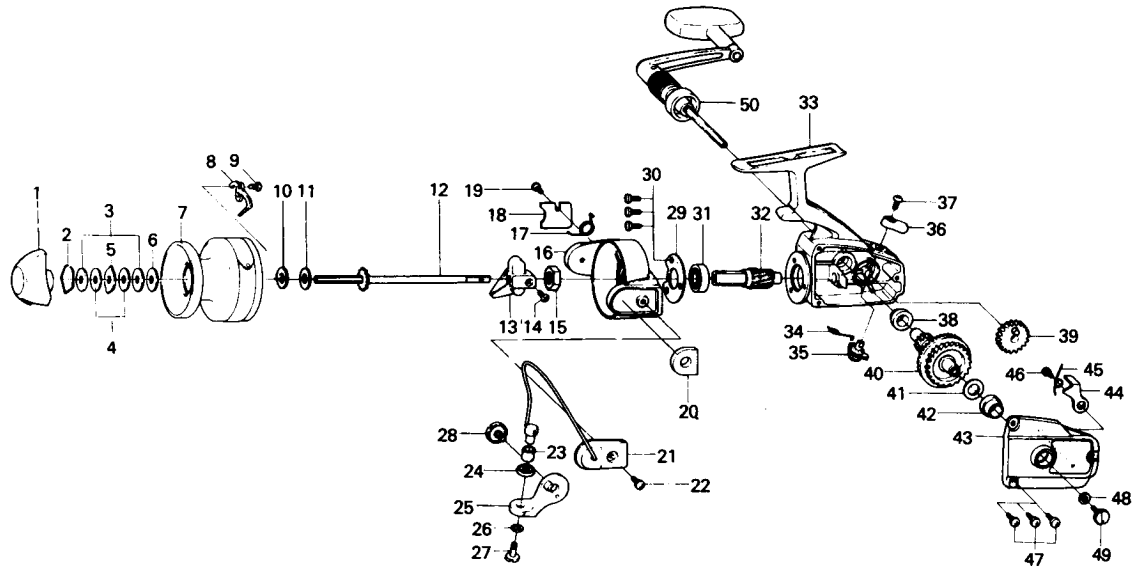


SPINNING REEL 1300C



LINE CAPACITY: 200 YDS. 8 LB. TEST (185m. 3.6kg)

Key No. 2 ~ 9

6-731-9902 Apool assembly \$7.10

Key No.	Parts No.	Parts Name	Price Per Piece	Key No.	Parts No.	Parts Name	Price Per Piece
1	6-740-2702	Drag knob	\$1.70	26	6-375-1001	Bail washer	\$.10
2	6-170-4001	Drag washer retainer	.10	27	6-353-1811	Bail screw	.20
3	6-373-2502	Drag D washer	.15	28	6-363-5201	Arm lever screw	.45
4	6-374-2901	Disc washer	.20	29	6-320-6311	Ball bearing ret. washer	.15
5	6-375-5301	Drag A washer	.15	30	6-352-0401	Ball bearing ret. washer screw	.10
6	6-370-6901	Drag washer A	.15	31	6-636-6001	Ball bearing	3.65
7	6-732-0001	Spool	N/A	32	6-402-5801	Pinion gear	1.60
8	6-030-4511	Spool click claw	.10	33	6-700-8201	Body	3.50
9	6-351-7701	Spool click claw screw	.10	34	6-142-2801	Anti-reverse cam spring	.15
10	6-374-9000	Spool adjusting washer	.10	35	6-460-6821	Anti-reverse cam	.25
11	6-374-9002	Spool washer	.10	36	6-541-3131	Anti-reverse lever	.20
12	6-711-1001	Main shaft	.80	37	6-350-1931	Anti-reverse lever screw	.10
13	6-481-1501	Oscillating slider	.35	38	6-636-4101	Bearing metal	.40
14	6-351-5311	Oscillating slider screw	.10	39	6-413-4501	Oscillating gear	.35
15	6-340-6602	Rotor nut	.20	40	6-413-4611	Driver gear	.95
16	6-201-8711	Rotor	2.70	41	6-370-5150	Drive gear washer	.10
17	6-144-4901	Bail spring	.10	42	6-636-4101	Bearing metal	.40
18	6-634-1501	Bail spring cover	.15	43	6-706-2701	Body cover	1.75
19	6-351-1801	Bail spring cover screw	.10	44	6-111-3411	Anti-reverse claw	.20
20	6-210-3701	Balancer	.35	45	6-143-9601	Anti-reverse claw spring	.10
21	6-725-6011	Bail	1.95	46	6-351-7701	Anti-reverse claw screw	.10
22	6-351-6601	Bail holder screw	.10	47	6-351-6401	Body cover screw	.10
23	6-250-4201	Line roller	.30	48	6-372-4601	Handle washer	.10
24	6-501-1601	Roller collar	.20	49	6-351-5531	Handle screw	.25
25	6-231-1701	Arm lever	40	50	6-746-1333	Handle	3.30