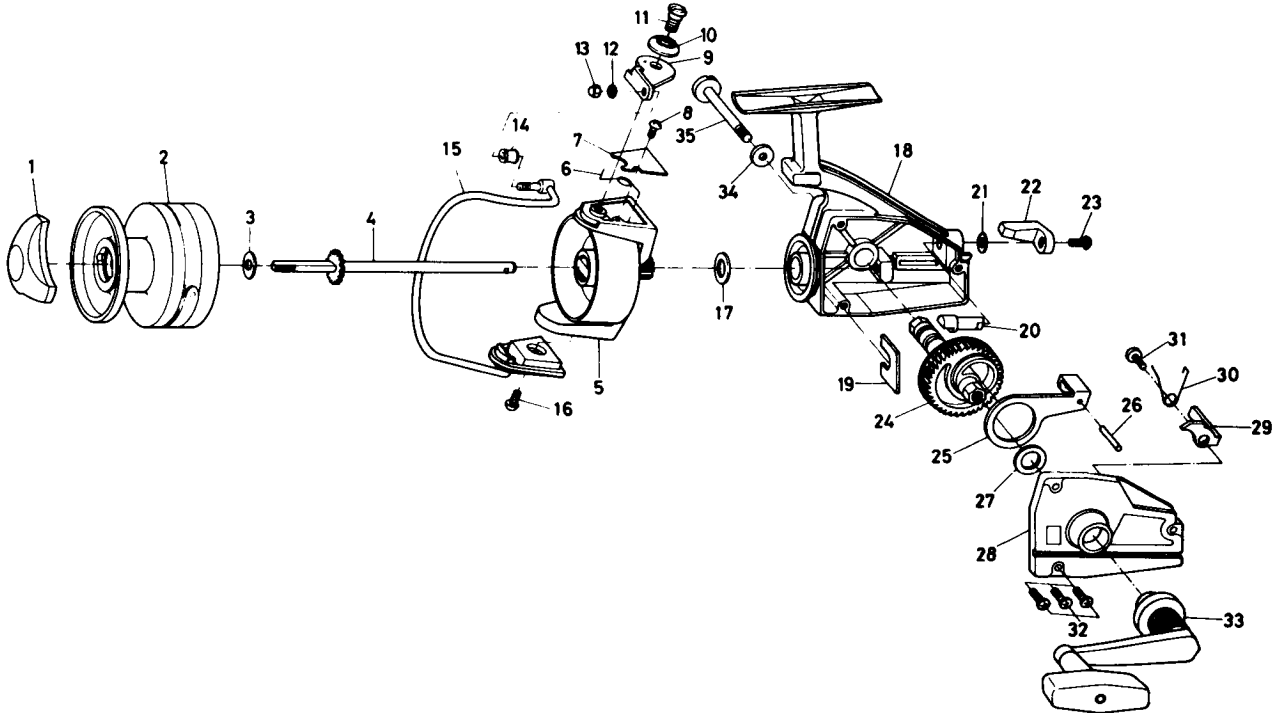
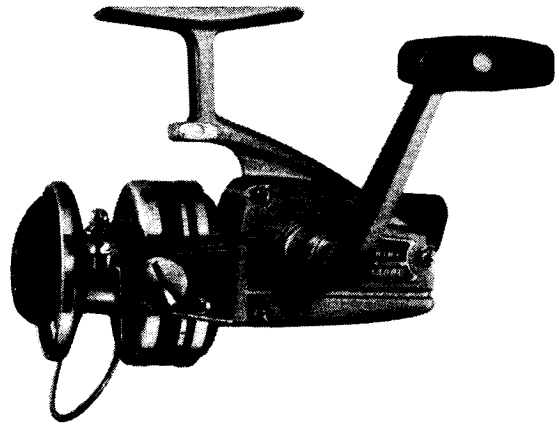




SKIRTED SPOOL SPINNING REEL 1500C



Key No.	Parts No.	Parts Name	Price	Key No.	Parts No.	Parts Name	Price
1	67402102	Drag knob	\$1.75	18	67001315	Body	\$3.50
2	67311401	Spool assembly	7.75	19	66326601	Pinion retainer	0.50
3	63718331	Spool washer	0.50	20	64607022	Anti-reverse cam	0.50
4	67102411	Main shaft	1.00	21	61501751	Anti-reverse lever washer	0.50
5	67351001	Rotor	2.50	22	65408001	Anti-reverse lever	0.50
6	61417811	Bail spring	0.50	23	63511801	Anti-reverse lever screw	0.50
7	66326501	Bail spring cover	0.50	24	64122701	Drive gear	0.50
8	63511801	Bail spring cover screw	0.50	25	64807501	Oscillating slider	0.50
9	62308811	Arm lever	0.50	26	61211211	Oscillating slider pin	0.50
10	61303201	Bail holder cap	0.50	27	63712800	Drive gear washer	0.50
11	63631901	Arm lever screw	0.50	28	67051308	Body cover	1.20
12	61600121	Bail washer	0.50	29	61107201	Anti-reverse claw	0.50
13	63410801	Bail nut	0.50	30	61423951	Anti-reverse claw spring	0.50
14	62501011	Line roller	0.50	31	63517701	Anti-reverse claw screw	0.50
15	67251031	Bail	2.00	32	63515901	Body cover screw	0.50
16	63516601	Bail holder screw	0.50	33	67452311	Handle	3.00
17	63728600	Rotor washer	0.50				

ALWAYS SPECIFY MODEL NO., PART NAME & PARTS NO. WHEN ORDERING PARTS
PLEASE ENCLOSE CORRECT AMOUNT FOR PART'S PRICE WHEN ORDERING

Page 41
Date 12-1-74
Rev. No. 0