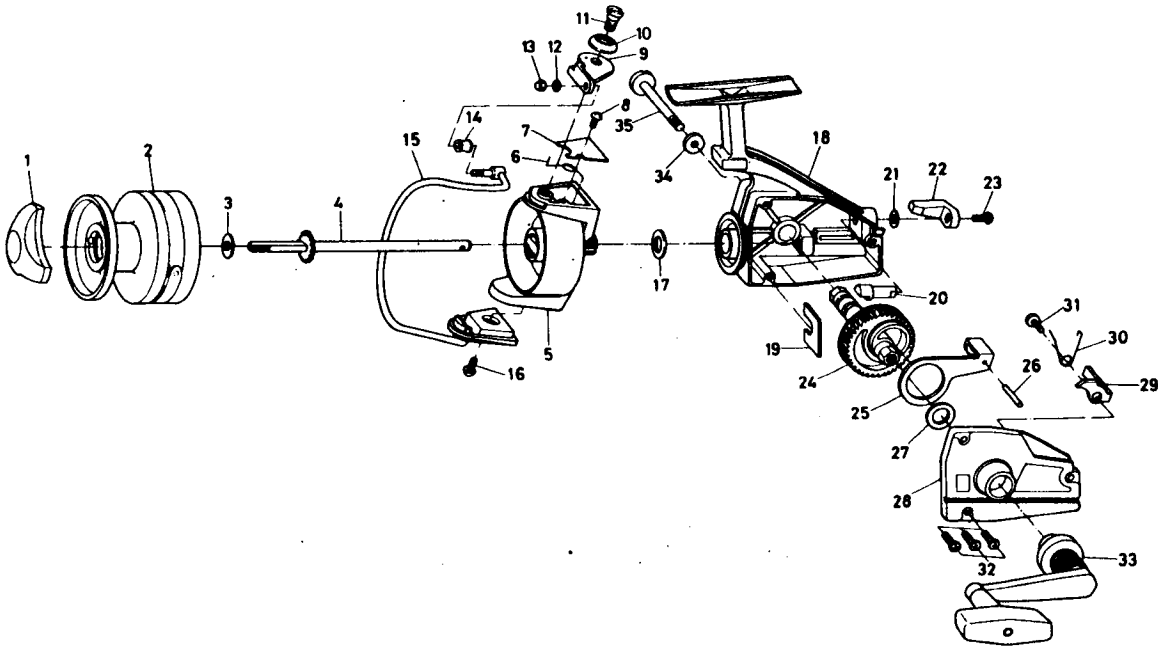




SPINNING REEL **1500c**



LINE CAPACITY: 200 YDS., 10 LB. TEST (300m Dia. 0.27mm)

Key No.	Parts No.	Parts Name	Key No.	Parts No.	Parts Name
1	67402102	Drag knob	19	66326601	Pinion retainer
2	67311401	Spool assembly	20	64607022	Anti-reverse cam
3	63718331	Spool washer	21	61501751	Anti-reverse lever washer
4	67102411	Main shaft	22	65408001	Anti-reverse lever
5	67351001	Rotor	23	63511801	Anti-reverse lever screw
6	61417811	Bail spring	24	64122701	Drive gear
7	66326501	Bail spring cover	25	64807501	Oscillating slider
8	63511801	Bail spring cover screw	26	61211211	Oscillating slider pin
9	62308811	Arm lever	27	63712820	Drive gear washer
10	61303201	Bail holder cap	28	67051308	Body cover
11	63631901	Arm lever screw	29	61107201	Anti-reverse claw
12	61600121	Bail washer	30	61423951	Anti-reverse claw spring
13	63410801	Bail nut	31	63517701	Anti-reverse claw screw
14	62501011	Line roller	32	63515901	Body cover screw
15	67251031	Bail	33	67452311	Handle
16	63516601	Bail holder screw	34	63723501	Handle washer
17	63728600	Rotor washer	35	63619611	Handle screw
18	67001315	Body			

<b>Darwa</b>
Page 12
Date 12-75
Rev. No. 00