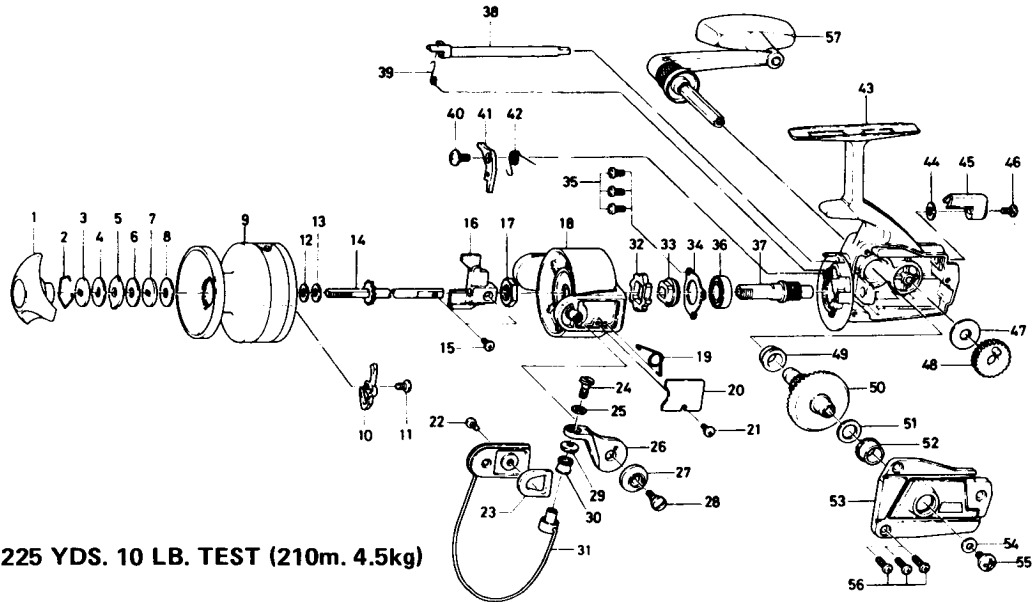


## SPINNING REEL 1600C



LINE CAPACITY: 225 YDS. 10 LB. TEST (210m. 4.5kg)

Key No. 2 ~ 11  
6-732-9001 Spool assembly \$8.10

Key No.	Parts No.	Parts Name	Price Per Piece	Key No.	Parts No.	Parts Name	Price Per Piece
1	6-740-2103	Drag knob	\$2.00	30	6-250-4201	Line roller	\$ .30
2	6-170-4001	Drag washer retainer	.10	31	6-725-7201	Bail	2.00
3	6-373-2502	Drag D washer	.15	32	6-280-7701	Ratchet	.50
4	6-374-2901	Disc washer	.20	33	6-636-6701	Click gear	.25
5	6-375-5301	Drag A washer	.15	34	6-636-9901	Ball bearing ret. washer	.25
6	6-374-2901	Disc washer	.20	35	6-351-6601	Ball bearing ret. washer screw	.10
7	6-373-2502	Drag D washer	.15	36	6-635-4801	Ball bearing	4.00
8	6-370-6901	Drag washer A	.15	37	6-402-8301	Pinion gear	1.35
9	6-732-9101	Spool	N/A	38	6-461-5002	Anti-reverse cam	1 10
10	6-030-4511	Spool click claw	.10	39	6-144-0301	Anti-reverse cam spring	.15
11	6-351-7701	Spool click claw screw	.10	40	6-353-8201	Anti-reverse claw screw	.10
12	6-371-8331	Spool washer	.10	41	6-111-5011	Anti-reverse claw	.40
13	6-371-8330	Spool adjusting washer	.10	42	6-144-5601	Anti-reverse claw spring	.10
14	6-711-2601	Main shaft	.70	43	6-701-0301	Body	5.00
15	6-351-5311	Oscillating slider screw	.10	44	6-373-2700	Anti-reverse lever washer	.10
16	6-481-2001	Oscillating slider	.35	45	6-541-1901	Anti-reverse lever	.15
17	6-340-8301	Rotor nut	.20	46	6-352-2501	Anti-reverse lever screw	.10
18	6-202-0001	Rotor	2.50	47	6-375-0900	Oscillating gear washer	.10
19	6-143-5311	Bail spring	.15	48	6-413-1201	Oscillating gear	.35
20	6-632-6411	Bail spring cover	.15	49	6-501-6201	Bearing metal	.40
21	6-352-2501	Bail spring cover screw	.10	50	6-413-1301	Drive gear	2.05
22	6-351-6601	Bail holder screw	.10	51	6-371-2820	Drive gear washer	.10
23	6-210-3111	Balancer	.35	52	6-501-6201	Bearing metal	.40
24	6-353-1811	Bail screw	.20	53	6-706-6601	Body cover	2.00
25	6-373-1001	Bail washer	.10	54	6-371-9521	Handle washer	.10
26	6-281-1801	Arm lever	1.35	55	6-351-3631	Handle screw	.30
27	6-130-3201	Bail holder cap	.10	56	6-351-8501	Body cover screw	.10
28	6-363-1901	Arm lever screw	.30	57	6-747-2801	Handle	4.65
29	6-501-1601	Roller collar	.20				