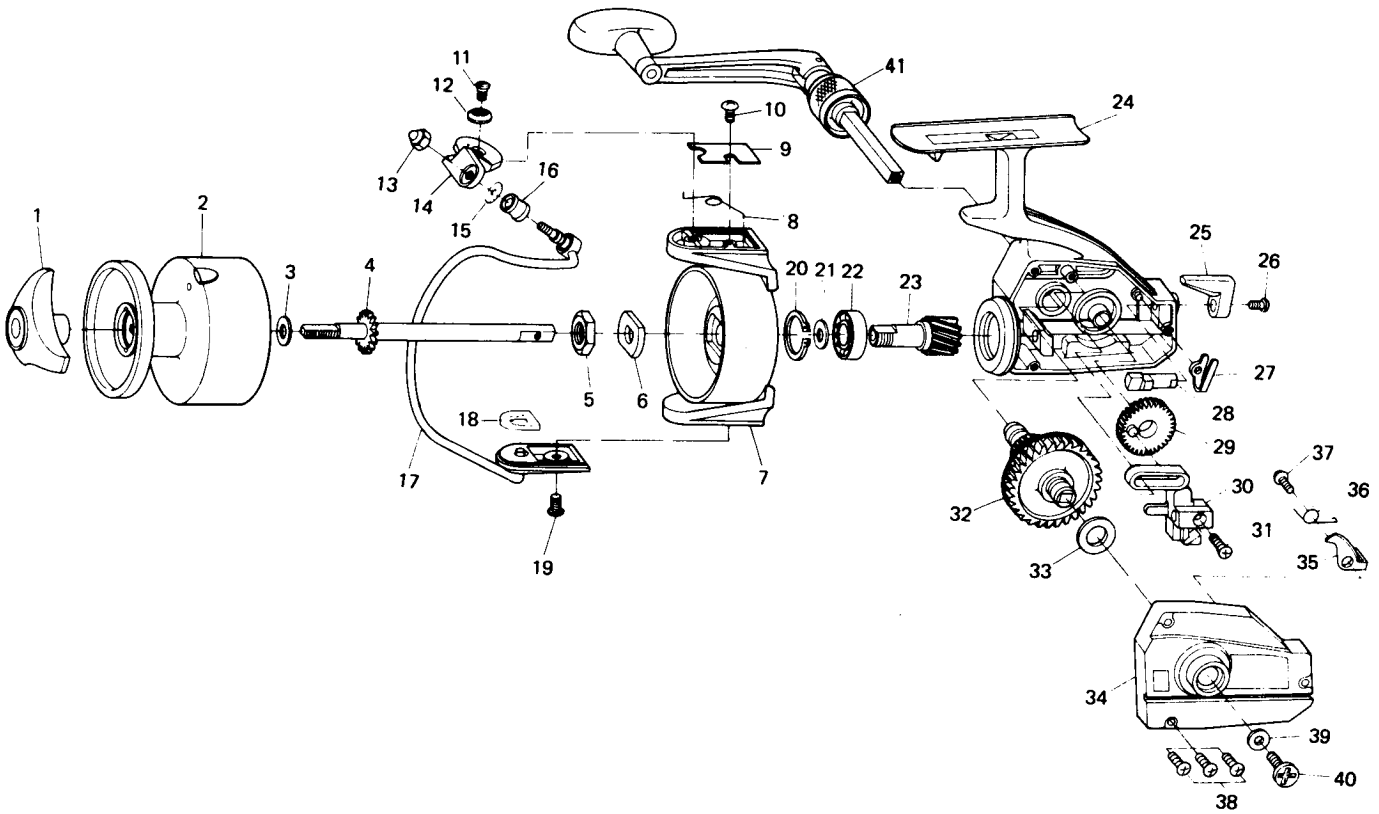
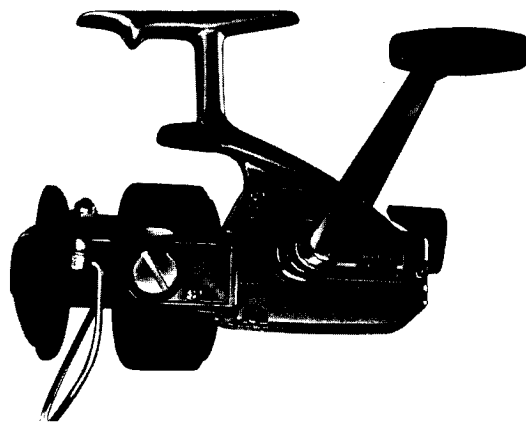




SPINNING REEL

2500c



Key No.	Parts No.	Parts Name	Price	Key No.	Parts No.	Parts Name	Price	Key No.	Parts No.	Parts Name	Price
1	67402102	Drag knob	\$2.15	15	63734501	Bail washer	\$.50	28	64604721	Anti-reverse cam	\$.60
2	67310201	Spool assembly	11.50	16	62502801	Line roller	1.00	29	64123401	Oscillating gear	1.00
3	63749001	Spool washer	.50	17	67251111	Bail	2.40	30	64807711	Oscillating slider	.60
4	67102013	Main shaft	1.50	18	62103111	Balancer	.60	31	63518901	Oscillating slider screw	.50
5	63404601	Rotor nut	.60	19	63516601	Bail holder screw	.50	32	64123311	Drive gear	2.40
6	63724901	Rotor retaining washer	.50	20	63202111	Ball bearing retaining ring	.50	33	63712800	Drive gear washer	.50
7	62012101	Rotor	4.20	21	63744211	Pinion washer	.50	34	67055517	Body cover	1.20
8	61435311	Bail spring	.50	22	66338001	Ball bearing	4.00	35	61109621	Anti-reverse claw	.60
9	66326411	Bail spring cover	.50	23	64016611	Pinion	2.10	36	61423951	Anti-reverse claw spring	.50
10	63511801	Bail spring cover screw	.50	24	67001511	Body	5.00	37	63516102	Anti-reverse claw screw	.60
11	63631901	Arm lever screw	.60	25	65404922	Anti-reverse lever	.50	38	63515901	Body cover screw	.50
12	61303201	Bail holder cap	.50	26	63511801	Anti-reverse lever screw	.50	39	63719521	Handle washer	.50
13	63408501	Bail nut	.60	27	61506731	Anti-reverse lever spring	.60	40	63513631	Handle screw	.50
14	62308111	Arm lever	.50					41	67452101	Handle	4.80

ALWAYS SPECIFY MODEL NO., PART NAME & PARTS NO. WHEN ORDERING PARTS
PLEASE ENCLOSE CORRECT AMOUNT FOR PART'S PRICE WHEN ORDERING