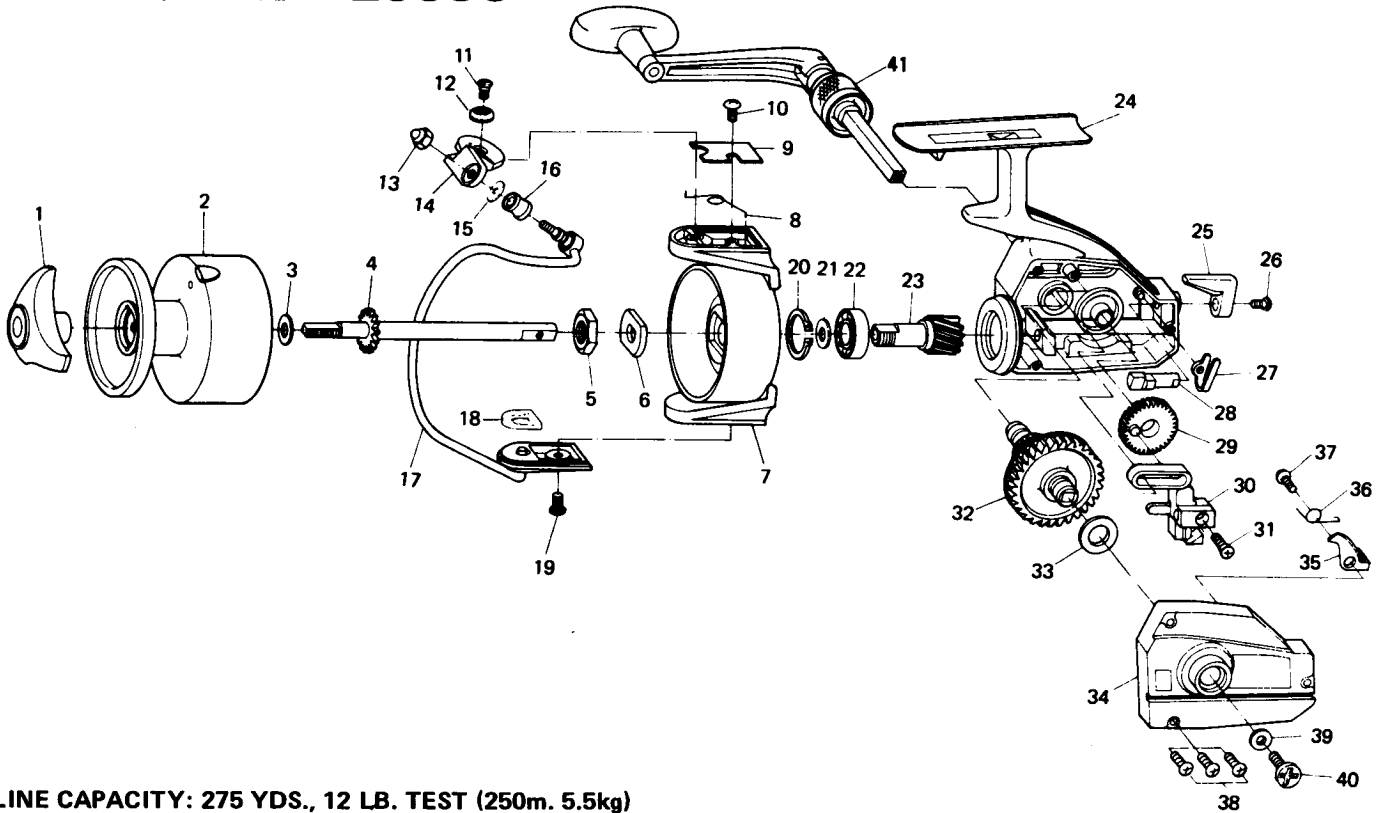


SPINNING REEL 2500C



LINE CAPACITY: 275 YDS., 12 LB. TEST (250m. 5.5kg)

Key No.	Parts No.	Parts Name	Price Per Piece
1	6-740-2102	Drag knob	\$2.00
2	6-731-0201	Spool assembly	12.10
3	6-374-9001	Spool washer	.10
4	6-710-2013	Main shaft	1.30
5	6-340-4601	Rotor nut	.20
6	6-372-4901	Rotor retaining washer	.10
7	6-201-2111	Rotor	3.00
8	6-143-5311	Bail spring	.15
9	6-632-6411	Bail spring cover	.15
10	6-351-1801	Bail spring cover screw	.10
11	6-363-1901	Arm lever screw	.30
12	6-130-3201	Bail holder cap	.10
13	6-340-8501	Bail nut	.40
14	6-230-8111	Arm lever	1.40
15	6-373-4501	Bail washer	.25
16	6-250-2801	Line roller	.30
17	6-725-1111	Bail	3.00
18	6-210-3111	Balancer	.35
19	6-351-6601	Bail holder screw	.10
20	6-320-2111	Ball bearing retaining ring	.25
21	6-374-4211	Pinion washer	.10

Key No.	Parts No.	Parts Name	Price Per Piece
22	6-633-8001	Ball bearing	\$4.85
23	6-401-6611	Pinion	1.90
24	6-700-1511	Body	5.75
25	6-540-4922	Anti-reverse lever	.20
26	6-351-1801	Anti-reverse lever screw	.10
27	6-150-6731	Anti-reverse lever spring	.20
28	6-460-4721	Anti-reverse cam	.15
29	6-412-3401	Oscillating gear	.20
30	6-480-7711	Oscillating slider	.60
31	6-351-8901	Oscillating slider screw	.10
32	6-412-3311	Drive gear	2.45
33	6-371-2800	Drive gear washer	.10
34	6-705-1517	Body cover	2.35
35	6-110-9621	Anti-reverse claw	.20
36	6-142-3951	Anti-reverse claw spring	.10
37	6-351-6102	Anti-reverse claw screw	.10
38	6-351-5901	Body cover screw	.10
39	6-371-9521	Handle washer	.10
40	6-351-3631	Handle screw	.30
41	6-745-2101	Handle	4.45