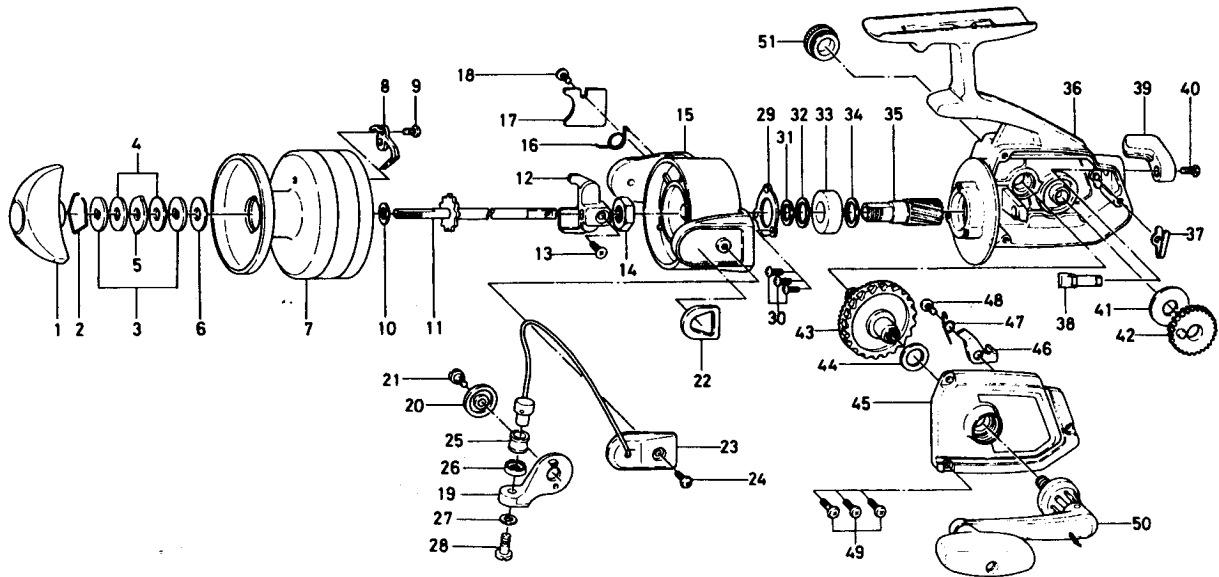


SPINNING REEL 250RL



KEY NO. 2 ~ 9
734-0103

SPOOL ASSEMBLY

Key No.	Parts No.	Parts Name	Key No.	Parts No.	Parts Name
1	740-2103	Drag knob	27	375-1101	Bail washer
2	170-4001	Drag washer retainer	28	363-3111	Bail screw
3	373-2502	Drag D washer	29	634-7011	Pinion collar ret. washer
4	374-2901	Disc washer	30	351-6601	Pinion collar ret. washer scre
5	375-5301	Drag A washer	31	372-8600	Pinion washer A
6	370-6901	Drag washer A	32	371-2822	Pinion washer B
7	734-0203	Spool	33	636-2611	Shaft metal
8	030-4511	Spool click claw	34	371-2822	Pinion adjusting washer
9	351-6101	Spool click claw screw	35	402-4511	Pinion gear
10	374-9001	Spool washer	36	B38-5701	Body
11	711-3401	Main shaft	37	150-6731	Anti-reverse cam spring
12	481-2211	Oscillating slider	38	460-4721	Anti-reverse cam
13	351-8901	Oscillating slider screw	39	541-3311	Anti-reverse lever
14	B10-5701	Rotor nut	40	352-2501	Anti-reverse lever screw
15	201-7707	Rotor	41	374-6600	Oscillating gear washer
16	145-1101	Bail spring	42	413-2212	Oscillating gear
17	632-6411	Bail spring cover	43	413-8401	Drive gear
18	351-1801	Bail spring cover screw	44	371-2800	Drive gear washer
19	231-1901	Arm lever	45	B38-5801	Body cover
20	130-3201	Bail holder cap	46	110-9622	Anti-reverse claw
21	363-1901	Arm lever screw	47	144-2801	Anti-reverse claw spring
22	210-3111	Balancer	48	351-6102	Anti-reverse claw screw
23	725-5621	Bail	49	351-8501	Body cover screw
24	351-6601	Bail holder screw	50	747-1401	Handle
25	250-4321	Line roller	51	363-7401	Handle screw cap
26	501-2001	Roller collar			