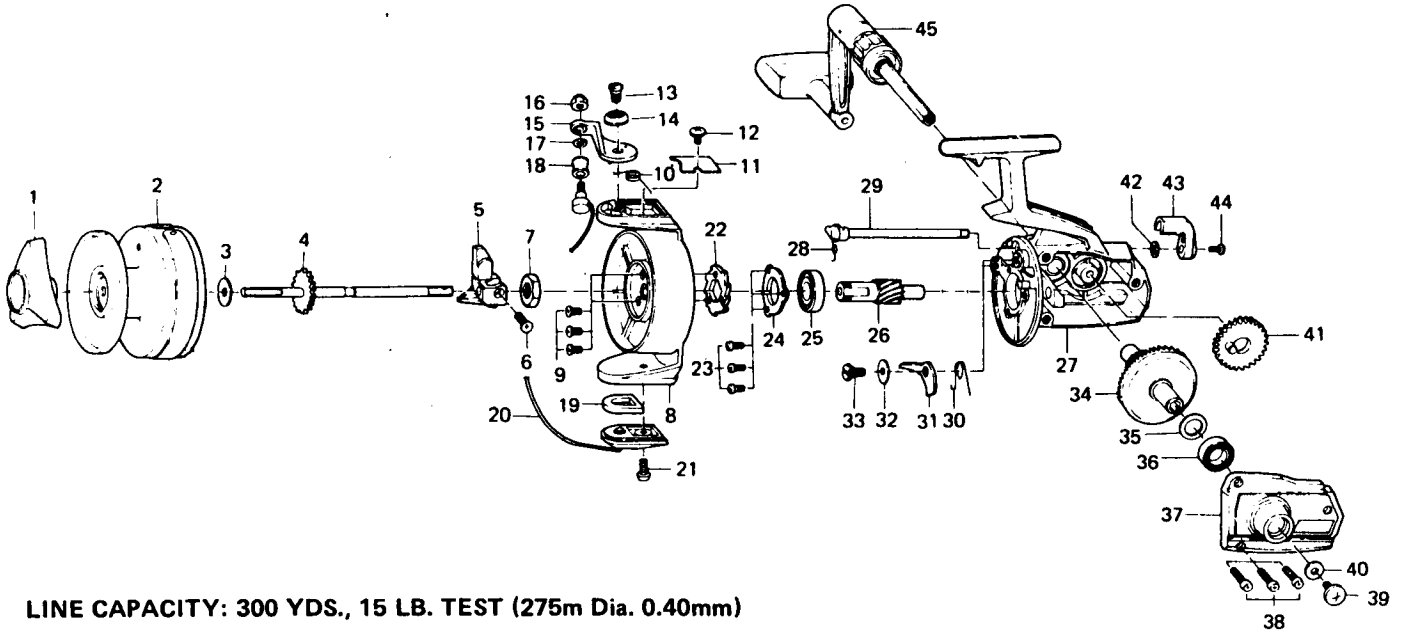




SPINNING REEL **4000c**



LINE CAPACITY: 300 YDS., 15 LB. TEST (275m Dia. 0.40mm)

| Key No. | Parts No. | Parts Name |
|---------|-----------|--------------------------------|
| 1 | 60008233 | Drag knob |
| 2 | 67309101 | Spool assembly |
| 3 | 63712732 | Spool washer |
| 4 | 67102202 | Main shaft |
| 5 | 64807801 | Oscillating slider |
| 6 | 63518901 | Oscillating slider screw |
| 7 | 63408301 | Rotor nut |
| 8 | 62012211 | Rotor |
| 9 | 63520901 | Ratchet screw |
| 10 | 61435501 | Bail spring |
| 11 | 66330701 | Bail spring cover |
| 12 | 63501931 | Bail spring cover screw |
| 13 | 63631901 | Arm lever screw |
| 14 | 61303201 | Bail holder cap |
| 15 | 62308111 | Arm lever |
| 16 | 63408501 | Bail nut |
| 17 | 63734501 | Bail washer |
| 18 | 62502801 | Line roller |
| 19 | 62103501 | Balancer |
| 20 | 67251211 | Bail |
| 21 | 63516401 | Bail holder screw |
| 22 | 62804101 | Ratchet |
| 23 | 63516601 | Ball bearing ret. washer screw |

| Key No. | Parts No. | Parts Name |
|---------|-----------|---------------------------|
| 24 | 66347001 | Ball bearing ret. washer |
| 25 | 66331001 | Ball bearing |
| 26 | 64016701 | Pinion |
| 27 | 67001612 | Body |
| 28 | 61423511 | Anti-reverse cam spring |
| 29 | 67107901 | Anti-reverse cam |
| 30 | 61423421 | Anti-reverse claw spring |
| 31 | 61109701 | Anti-reverse claw |
| 32 | 63732701 | Anti-reverse claw washer |
| 33 | 63624201 | Anti-reverse claw screw |
| 34 | 64123501 | Drive gear |
| 35 | 63712820 | Drive gear washer |
| 36 | 66317611 | Ball bearing |
| 37 | 67051611 | Body cover |
| 38 | 63515901 | Body cover screw |
| 39 | 63513631 | Handle screw |
| 40 | 63719521 | Handle washer |
| 41 | 64123601 | Oscillating gear |
| 42 | 63732700 | Anti-reverse lever washer |
| 43 | 65408321 | Anti-reverse lever |
| 44 | 63522501 | Anti-reverse lever screw |
| 45 | 67452011 | Handle |