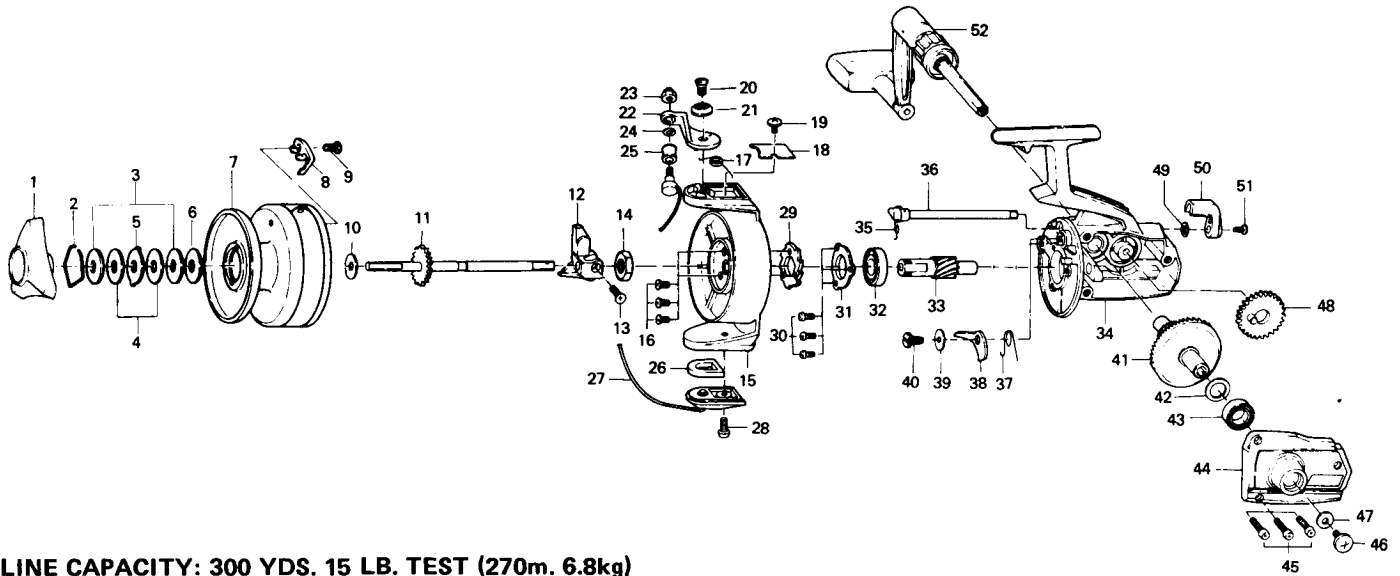


SPINNING REEL 4000C



LINE CAPACITY: 300 YDS. 15 LB. TEST (270m. 6.8kg)

Key No. 2 ~ 9
 6-730-9105 Spool assembly \$13.35

Special part for 4000SC 6-280-7201 Ratchet .65

Key No.	Parts No.	Parts Name	Price Per Piece	Key No.	Parts No.	Parts Name	Price Per Piece
1	6-000-8233	Drag knob	\$2.15	27	6-725-1211	Bail	\$2.95
2	6-170-4511	Drag washer retainer	.10	28	6-951-6401	Bail holder screw	.10
3	6-372-7812	Drag D washer	.15	29	6-280-4101	Ratchet	.65
4	6-372-9011	Disc washer	.40	30	6-351-6601	Ball bearing ret. washer screw	.10
5	6-375-5401	Drag A washer	.15	31	6-634-7011	Ball bearing ret. washer	.25
6	6-372-7701	Drag washer A	.15	32	6-635-5001	Ball bearing	4.25
7	6-730-3514	Spool	N/A	33	6-401-6701	Pinion gear	2.15
8	6-030-4411	Spool click claw	.15	34	6-700-1617	Body	8.50
9	6-351-6102	Spool click claw screw	.10	35	6-142-3511	Anti-reverse cam spring	.10
10	6-371-2732	Spool washer	.10	36	6-710-7901	Anti-reverse cam	1.20
11	6-710-2214	Main shaft	1.10	37	6-142-3421	Anti-reverse claw spring	.15
12	6-480-7801	Oscillating slider	.40	38	6-110-9701	Anti-reverse claw	.40
13	6-351-8901	Oscillating slider screw	.10	39	6-373-2701	Anti-reverse claw washer	.10
14	6-340-8301	Rotor nut	.20	40	6-362-4211	Anti-reverse claw screw	.25
15	6-201-2222	Rotor	3.90	41	6-412-3501	Drive gear	2.55
16	6-352-0901	Ratchet screw	.10	42	6-371-2820	Drive gear washer	.10
17	6-144-2201	Bail spring	.10	43	6-636-6001	Ball bearing	3.45
18	6-633-0701	Bail spring cover	.15	44	6-705-1614	Body cover	3.20
19	6-350-1931	Bail spring cover screw	.10	45	6-351-5901	Body cover screw	.10
20	6-363-1901	Arm lever screw	.30	46	6-351-3631	Handle screw	.30
21	6-130-3201	Bail holder cap	.10	47	6-371-9521	Handle washer	.10
22	6-230-8121	Arm lever	1.40	48	6-412-3601	Oscillating gear	.35
23	6-340-8501	Bail nut	.40	49	6-373-2700	Anti-reverse lever washer	.10
24	6-373-4501	Roller collar	.25	50	6-540-8321	Anti-reverse lever	.45
25	6-250-2801	Line roller	.30	51	6-352-2501	Anti-reverse lever screw	.10
26	6-210-3501	Balancer	.35	52	6-746-8701	Handle	6.25