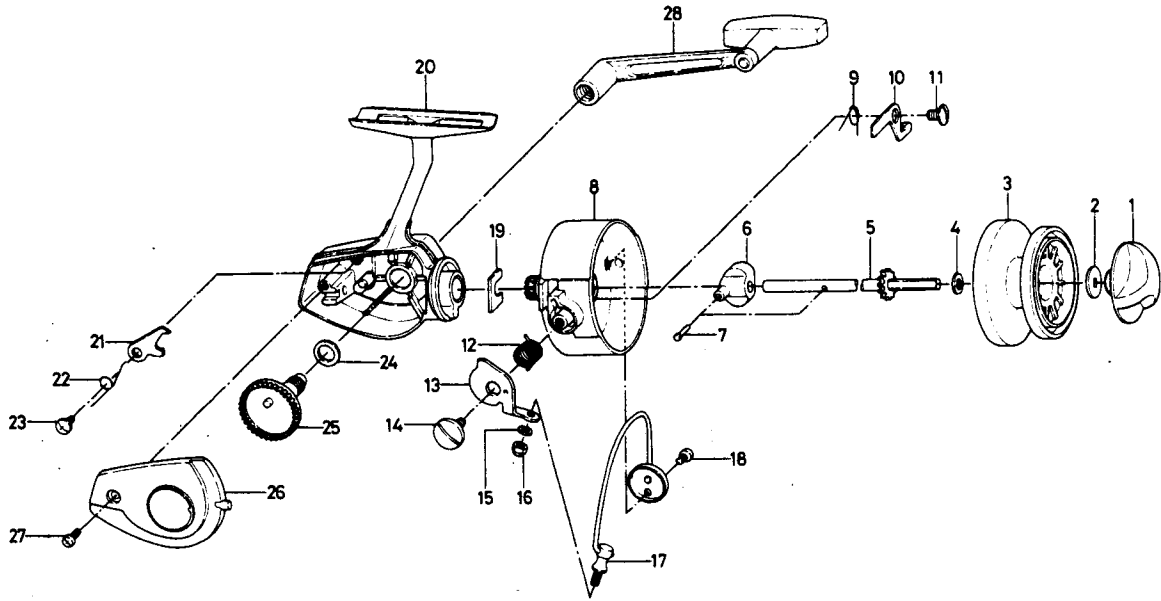


SPINNING REEL 402A



Key No.	Parts No.	Parts Name	Key No.	Parts No.	Parts Name
1	6-441-3501	Drag knob	15	6-160-0121	Bail washer
2	6-374-7901	Drag washer	16	6-341-9902	Bail nut
3	6-730-8001	Spool	17	6-725-6701	Bail
4	6-374-6400	Spool washer	18	6-352-0402	Bail holder screw
5	6-711-1501	Main shaft	19	6-632-4011	Pinion retainer
6	6-480-5101	Oscillating slider	20	6-700-8403	Body
7	6-490-4411	Oscillating slider pin	21	6-111-5501	Anti-reverse claw
8	6-736-3803	Rotor	22	6-144-6111	Anti-reverse claw spring
9	6-142-5711	Bail kick lever spring	23	6-350-1931	Anti-reverse claw screw
10	6-570-6511	Bail kick lever	24	6-373-0100	Drive gear washer
11	6-352-1101	Bail kick lever screw	25	6-412-8901	Drive gear
12	6-140-9231	Bail spring	26	6-706-3804	Body cover
13	6-231-1001	Arm lever	27	6-351-6401	Body cover screw
14	6-362-3411	Arm lever screw	28	6-746-4801	Handle