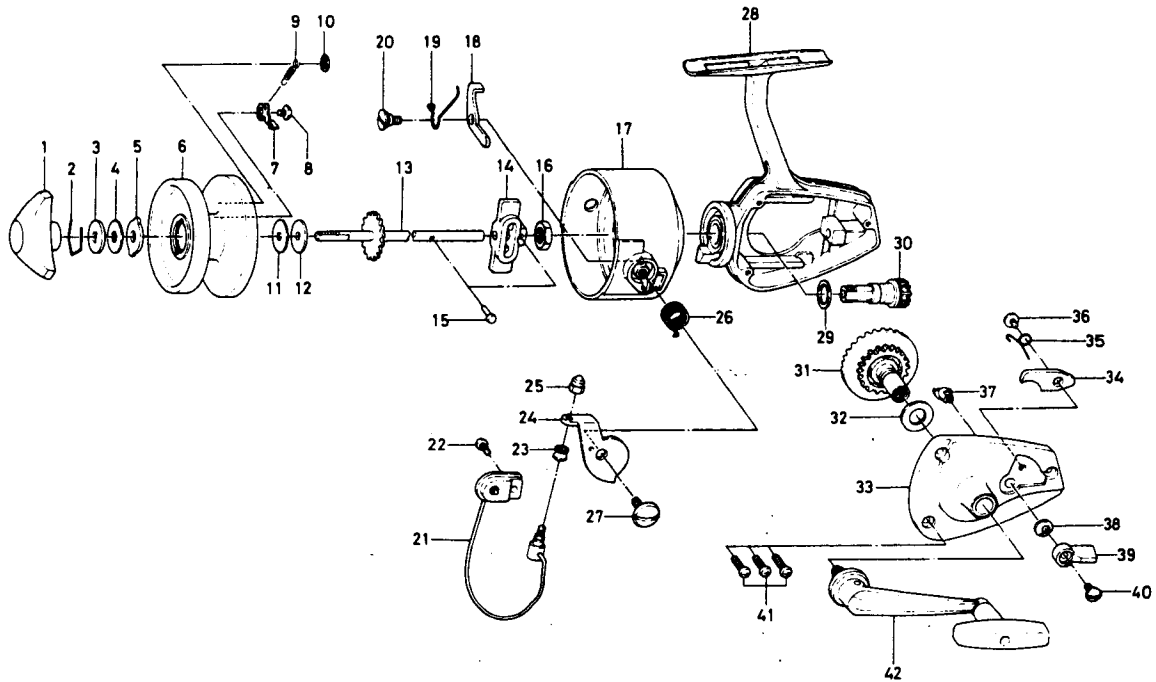


SPINNING REEL 404A



KEY NO. 2 ~ 10
6-732-7201

SPOOL ASSEMBLY

Key No.	Parts No.	Parts Name
1	6-003-4426	Drag knob
2	6-170-4001	Drag washer retainer
3	6-374-8001	Drag D washer
4	6-370-6901	Disc washer
5	6-375-5302	Drag A washer
*6	6-513-0402	Spool
7	6-030-6401	Spool click claw
8	6-352-0601	Spool click claw screw
9	6-142-0011	Spool click claw spring
10	6-320-9701	Spool click claw spring retainer
11	6-371-4410	Spool adjusting washer
12	6-371-4411	Spool washer
13	6-711-2701	Main shaft
14	6-481-1901	Oscillating slider
15	6-121-6301	Oscillating slider pin
16	6-340-6602	Rotor nut
17	6-201-9902	Rotor
18	6-570-8602	Bail kick lever
19	6-140-6231	Bail kick lever spring
20	6-361-1512	Bail kick lever screw
21	6-007-6201	Bail

Key No.	Parts No.	Parts Name
22	6-351-8501	Bail holder screw
23	6-250-1921	Line roller
24	6-230-8301	Arm lever
25	6-340-9101	Bail nut
26	6-140-9231	Bail spring
27	6-361-6413	Arm lever screw
28	6-706-6502	Body
29	6-371-6400	Pinion washer
30	6-402-8211	Pinion gear
31	6-413-7511	Drive gear
32	6-370-7500	Drive gear washer
33	6-063-1102	Body cover
34	6-111-3501	Anti-reverse claw
35	6-144-0001	Anti-reverse claw spring
36	6-351-6102	Anti-reverse claw screw
37	6-461-2201	Anti-reverse cam
38	6-150-1751	Anti-reverse lever washer
39	6-540-3711	Anti-reverse lever
40	6-350-1931	Anti-reverse lever screw
41	6-351-8501	Body cover screw
42	6-747-0301	Handle

*Not sold separately. See Spool Assembly.