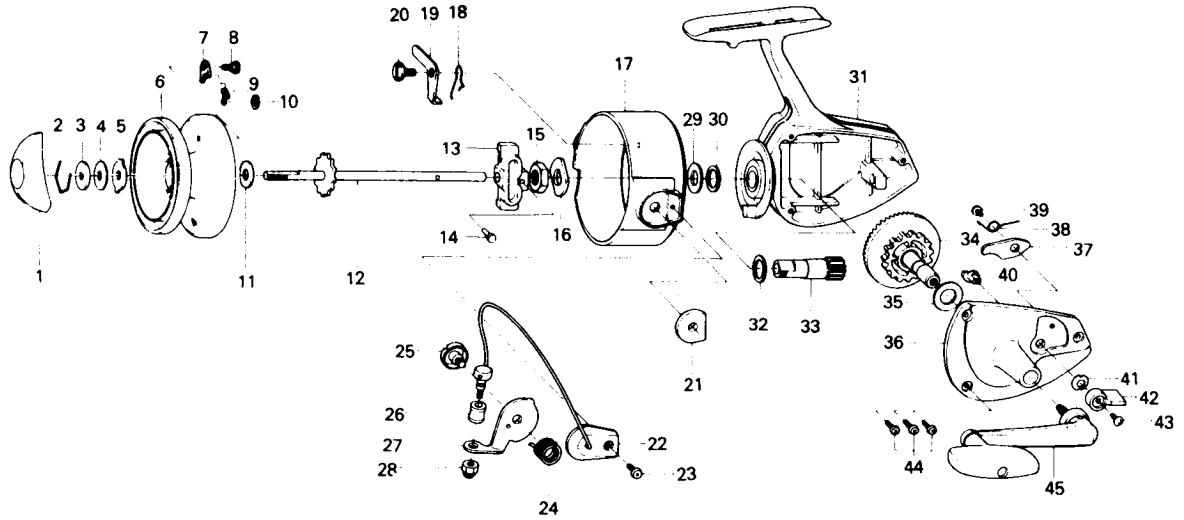


SPINNING REEL 406



LINE CAPACITY: 265 YDS., 15 LB. TEST (240m. 6.8kg)

Key No. 2 ~ 10

6-004-4351 Spool assembly \$4.75

Key No.	Parts No.	Parts Name	Price Per Piece	Key No.	Parts No.	Parts Name	Price Per Piece
1	6-005-1804	Drag knob	\$1.35	24	6-141-2801	Bail spring	\$.10
2	6-170-5201	Drag washer retainer	.10	25	6-361-6413	Arm lever screw	.65
3	6-372-0801	Drag D washer	.40	26	6-250-2801	Line roller	.30
4	6-370-6901	Disc washer	.15	27	6-230-8401	Arm lever	.45
5	6-372-4701	Drag A washer	.10	28	6-340-8501	Bail nut	.40
6	6-511-3961	Spool	N/A	29	6-370-7516	Rotor washer A	.10
7	6-040-0131	Spool click claw	.25	30	6-371-6420	Rotor washer B	.10
8	6-360-1441	Spool click claw screw	.10	31	6-700-5404	Body	5.25
9	6-140-2221	Spool click claw spring	.35	32	6-371-6423	Pinion washer	.10
10	6-320-3501	Spool click claw spring retainer	.15	33	6-402-2601	Pinion gear	1.50
11	6-371-2731	Spool washer	.10	34	6-413-0801	Drive gear	2.10
12	6-710-8501	Main shaft	1.30	35	6-370-7510	Drive gear washer	.10
13	6-481-0701	Oscillating slider	.45	36	6-062-7401	Body cover	1.90
14	6-121-7001	Oscillating slider pin	.10	37	6-111-3501	Anti-reverse claw	.20
15	6-340-8301	Rotor nut	.20	38	6-144-0001	Anti-reverse claw spring	.15
16	6-372-4901	Rotor retaining washer	.10	39	6-351-6102	Anti-reverse claw screw	.10
17	6-201-7311	Rotor	3.75	40	6-461-2201	Anti-reverse cam	.30
18	6-140-6231	Bail kick lever spring	.10	41	6-150-1751	Anti-reverse lever washer	.10
19	6-570-6821	Bail kick lever	.40	42	6-540-3711	Anti-reverse lever	.30
20	6-363-1501	Bail kick lever screw	.20	43	6-350-1931	Anti-reverse lever screw	.10
21	6-210-4301	Balancer	.25	44	6-351-8501	Body cover screw	.10
22	6-725-0221	Bail	2.55	45	6-746-4001	Handle	4.50
23	6-351-6401	Bail holder screw	.10				