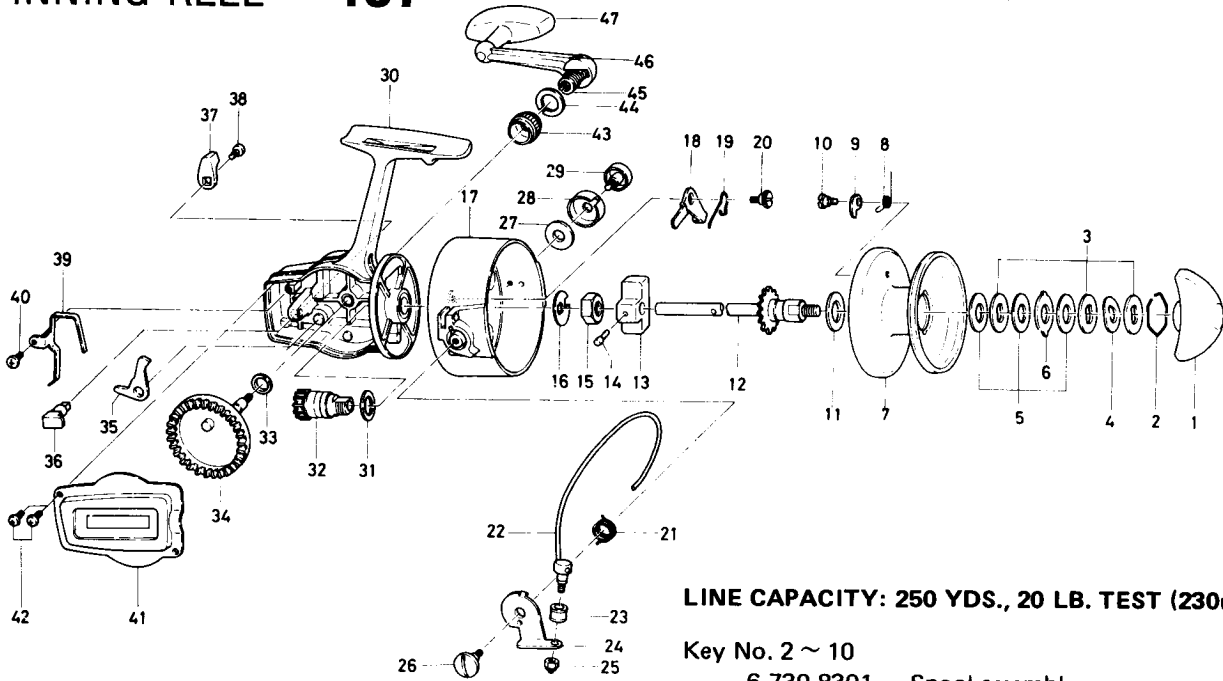


SPINNING REEL 407



LINE CAPACITY: 250 YDS., 20 LB. TEST (230m. 9.1kg)

Key No. 2 ~ 10	6-730-8301	Spool assembly	\$5.50
Key No. 43 ~ 47	K-005-9322	Handle assembly	4.65

Key No.	Parts No.	Parts Name	Price Per Piece
1	6-005-8803	Drag knob	\$2.70
2	6-170-4101	Drag washer retainer	.10
3	6-374-8201	Drag D washer	.40
4	6-150-3211	Drag spring washer	.15
5	6-371-0011	Disc washer	.40
6	6-370-9711	Drag A washer	.20
7	6-513-0501	Spool	N/A
8	6-140-8841	Spool click claw spring	.10
9	6-040-0521	Spool click claw	.25
10	6-363-1701	Spool click claw screw	.15
11	6-374-6302	Spool washer	.10
12	6-710-5701	Main shaft	1.75
13	6-481-0101	Oscillating slider	.40
14	6-121-6401	Oscillating slider pin	.15
15	6-340-8301	Rotor nut	.20
16	6-374-8101	Rotor retaining washer	.15
17	6-735-2821	Rotor	5.00
18	6-570-9301	Bail kick lever	.50
19	6-140-6231	Bail kick lever spring	.10
20	6-363-1501	Bail kick lever screw	.20
21	6-143-8301	Bail spring	.15
22	K-002-8611	Bail	2.70
23	6-250-1501	Line roller	.40
24	6-230-1861	Arm lever	.15

Key No.	Parts No.	Parts Name	Price Per Piece
25	6-340-8501	Bail nut	\$.40
26	6-363-1601	Arm lever screw	.70
27	6-371-4501	Bail holder washer	.10
28	6-630-3601	Bail holder cap	.25
29	6-363-1601	Bail holder screw	.70
30	6-700-4011	Body	6.00
31	6-370-9820	Pinion washer	.10
32	6-402-1301	Pinion gear	2.95
33	6-370-9920	Drive gear washer	.10
34	6-412-9301	Drive gear	2.25
35	6-110-1641	Anti-reverse claw	.20
36	6-461-1601	Anti-reverse cam	.20
37	6-540-1311	Anti-reverse lever	.40
38	6-350-1931	Anti-reverse lever screw	.10
39	6-150-3361	Anti-reverse lever spring	.30
40	6-352-2201	Anti-reverse spring screw	.10
41	6-006-9304	Body cover	2.00
42	6-351-6601	Body cover screw	.10
43	6-340-3441	Handle retaining nut	.80
44	6-160-0541	Handle washer	.10
45	6-360-1731	Handle arm screw	.90
46	6-363-2801	Handle arm stopper screw	.20
47	6-747-3701	Handle arm	2.75