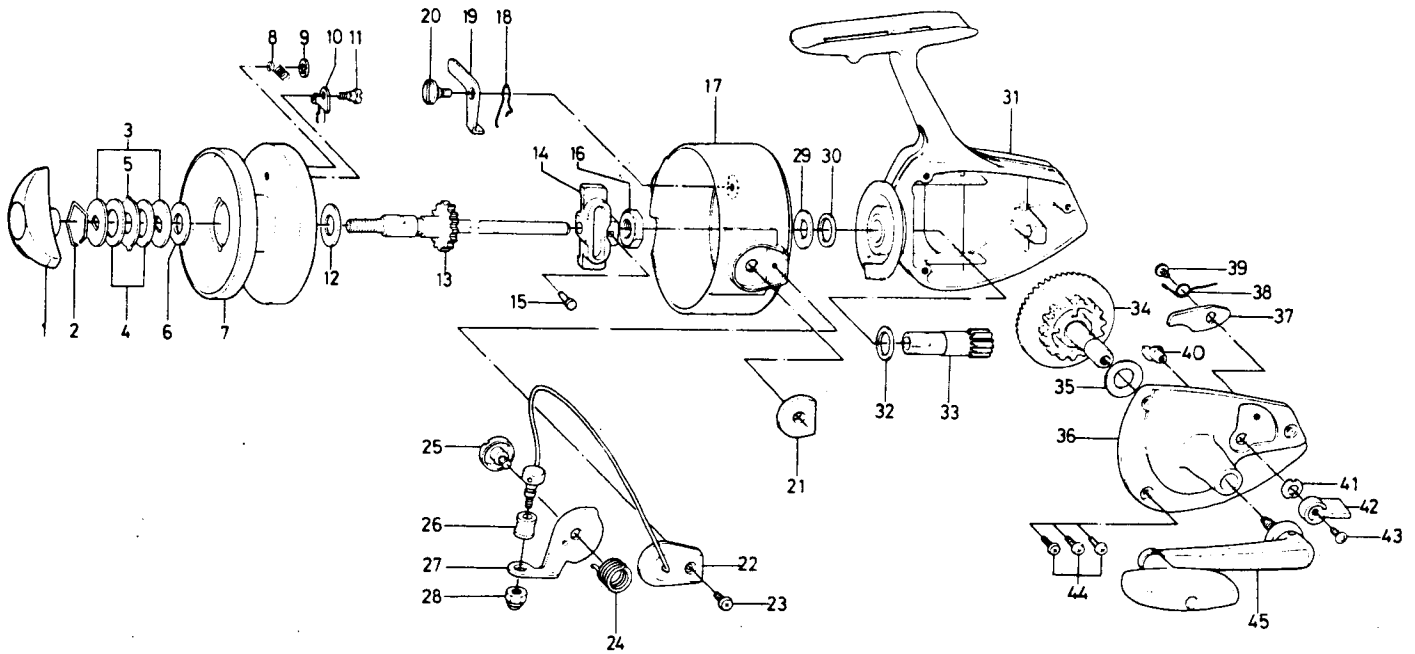


SPINNING REEL 407A



KEY NO. 2 ~ 11
6-733-8611

SPOOL ASSEMBLY

Key No.	Parts No.	Parts Name
1	6-000-8237	Drag knob
2	6-170-4101	Drag washer retainer
3	6-372-3711	Drag D washer
4	6-372-6504	Disc washer
5	6-372-3832	Drag washer A
6	6-372-3003	Drag washer A
*7	6-514-3811	Spool
8	6-140-2221	Spool click claw spring
9	6-320-9701	Spool click claw spring retainer
10	6-030-6802	Spool click claw
11	6-350-1931	Spool click claw screw
12	6-372-9601	Spool washer
13	6-711-4701	Main shaft
14	6-481-2801	Oscillating slider
15	6-121-7001	Oscillating slider pin
16	6-340-8301	Rotor nut
17	6-202-1203	Rotor
18	6-140-6231	Bail kick lever spring
19	6-570-6821	Bail kick lever
20	6-363-1501	Bail kick lever screw
21	6-210-4301	Balancer
22	6-720-2801	Bail
23	6-351-6401	Bail holder screw

Key No.	Parts No.	Parts Name
24	6-141-2801	Bail spring
25	6-361-6413	Arm lever screw
26	6-250-2821	Line roller
27	6-231-3101	Arm lever
28	6-340-8501	Bail nut
29	6-370-7516	Rotor washer A
30	6-371-6400	Rotor washer B
31	6-701-4404	Body
32	6-371-6423	Pinion washer
33	6-403-2301	Pinion gear
34	6-414-1401	Drive gear
35	6-371-6400	Drive gear washer
36	6-063-3303	Body cover
37	6-111-3501	Anti-reverse claw
38	6-144-0001	Anti-reverse claw spring
39	6-351-6102	Anti-reverse claw screw
40	6-461-2201	Anti-reverse cam
41	6-150-1751	Anti-reverse lever washer
42	6-540-3711	Anti-reverse lever
43	6-350-1931	Anti-reverse lever screw
44	6-351-5901	Body cover screw
45	6-747-6801	Handle

*Not sold separately. See Spool Assembly.