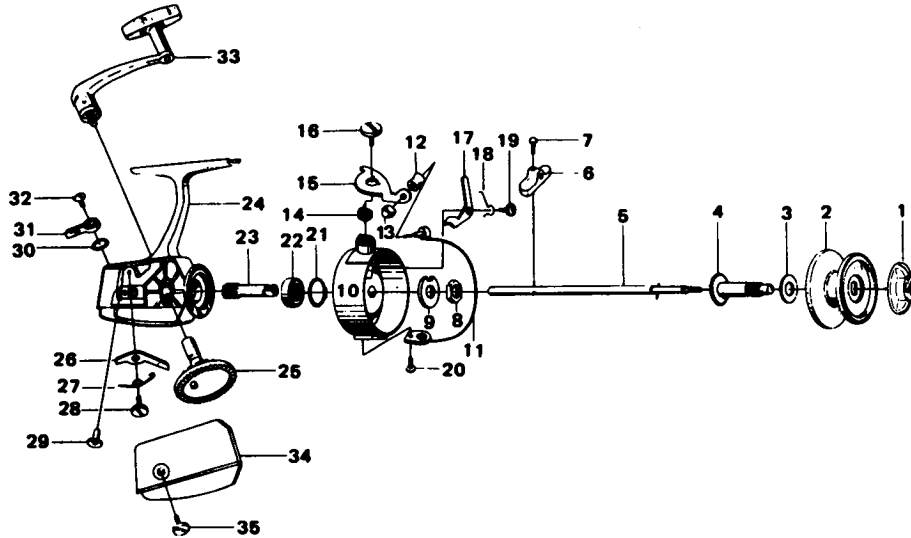
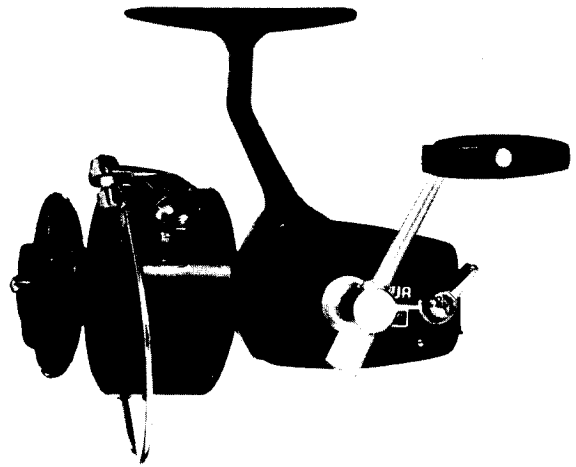




# DAIWA

## SPINNING REEL 4290



LINE CAPACITY: 250 YDS., 8 LB. TEST

Key No.	Parts No.	Parts Name	Price	Key No.	Parts No.	Parts Name	Price	Key No.	Parts No.	Parts Name	Price	
1	60078413 (A00784)	Drag knob	\$8.00	13	63409101 (3491)	Bail nut	.60	25	64118411 (41184)	Drive gear	2.40	
2	*60089201 (A00892)	Spool		Sold As One Unit	14	61422211 (14222)	Bail spring	.50	26	61106811 (1168)	Anti-reverse claw	.50
3	63727501 (37275)	Spool washer			15	62307101 (2371)	Arm lever	1.05	27	61422021 (14220)	Anti-reverse claw spring	.50
4	*60088901 (A00889)	Spool metal		16	63616611 (36166)	Arm lever screw	.50	28	63617701 (36177)	Anti-reverse claw screw	2.40	
5	60088821 (A00888)	Main shaft	1.20	17	65705601 (5756)	Bail kick lever	.50	29	64606611 (4666)	Anti-reverse cam	.50	
6	64805621 (4856a)	Oscillating slider	.60	18	61422101 (14221)	Bail kick lever spring	.50	30	61501751 (1517b-2)	Anti-reverse lever washer	.50	
7	61208711 (1287a)	Oscillating slider pin	.50	19	63614701 (36147)	Bail kick lever screw	2.40	31	65402221 (5422)	Anti-reverse lever	2.40	
8	63406601 (3466)	Rotor nut	.50	20	63515901 (35159)	Bail holder screw	2.40	32	63501931 (3519a)	Anti-reverse lever screw	.50	
9	63713111 (37131)	Rotor retaining washer	.50	21	*63202901 (3229)	Ball bearing ret. ring	.50	33	60053141 (A00531)	Handle	3.60	
10	62009261 (2092)	Rotor	2.40	22	*66316901 (63169)	Ball bearing	3.60	34	60616441 (06164)	Body cover	.90	
11	60050341 (A00503)	Bail	1.80	23	*64014701 (40147)	Pinion	1.20	35	63616021 (36160)	Body cover screw	.50	
12	62501011 (2510)	Line roller	.90	24	*61916701 (19167)	Body	2.40					

ALWAYS SPECIFY MODEL NO., PART NAME & PARTS NO. WHEN ORDERING PARTS  
PLEASE ENCLOSE CORRECT AMOUNT FOR PART'S PRICE WHEN ORDERING