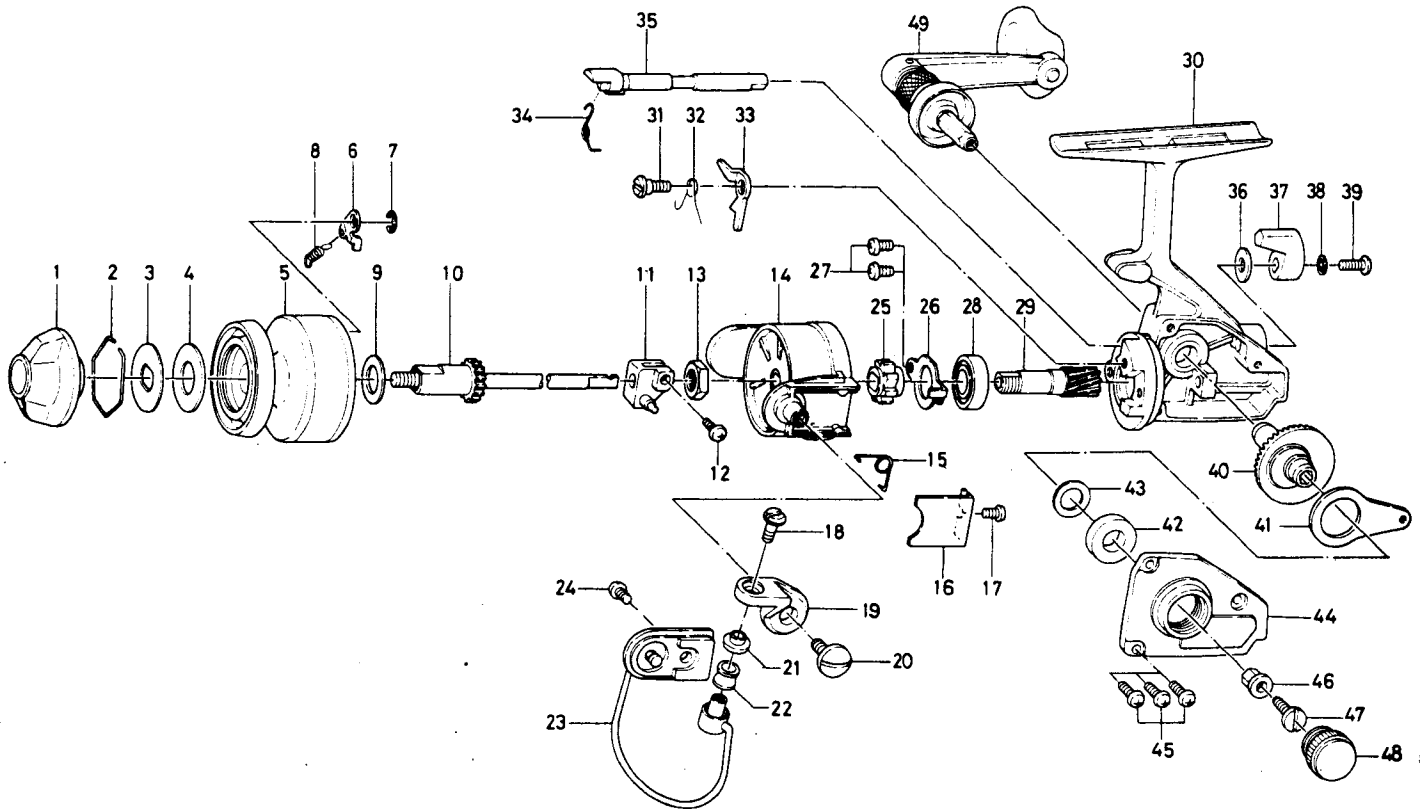


SPINNING REEL 500C



KEY NO. 2 ~ 8

6-B08-0401

SPOOL ASSEMBLY

Key No.	Parts No.	Parts Name
1	6-740-4301	Drag knob
2	6-171-7701	Drag washer retainer
3	6-376-1601	Drag D washer
4	6-373-3708	Disc washer
5	6-B08-0501	Spool
6	6-B07-5301	Spool click claw
7	6-320-5901	Spool click claw retainer
8	6-145-2101	Spool click claw spring
9	6-376-4501	Spool washer
10	6-382-1601	Main shaft
11	6-637-3801	Oscillating support
12	6-351-1101	Oscillating slider screw
13	6-342-4001	Rotor nut
14	6-202-0811	Rotor
15	6-144-3821	Bail spring
16	6-637-3401	Bail spring cover
17	6-351-0901	Bail spring cover screw
18	6-363-4411	Bail screw
19	6-B07-7601	Arm lever (L-23A 27C)
20	6-363-9001	Arm lever screw
21	6-501-4411	Roller collar
22	6-250-1921	Line roller
23	6-725-7901	Bail
24	6-352-0401	Bail holder screw
25	6-280-8701	Ratchet

Key No.	Parts No.	Parts Name
26	6-321-0701	Ball bearing ret. washer
27	6-351-0901	Ball bearing ret. washer screw
28	6-637-5701	Ball bearing
29	6-403-1801	Pinion gear
30	6-B15-6201	Body
31	6-363-8801	Anti-reverse claw screw
32	6-145-0401	Anti-reverse claw spring
33	6-111-8001	Anti-reverse claw
34	6-145-0301	Anti-reverse cam spring
35	6-461-7402	Anti-reverse cam
36	6-371-6903	Anti-reverse lever washer A
37	6-541-3701	Anti-reverse lever
38	6-160-8601	Anti-reverse lever washer B
39	6-353-4401	Anti-reverse lever screw
40	6-414-1001	Drive gear
41	6-481-2601	Oscillating slider
42	6-636-6611	Bearing metal
43	6-375-8500	Drive gear washer
44	6-B15-6301	Body cover
45	6-351-1101	Body cover screw
46	6-501-8501	Handle screw holder
47	6-363-8511	Handle screw
48	6-B03-4802	Handle screw cap
49	6-748-0801	Handle