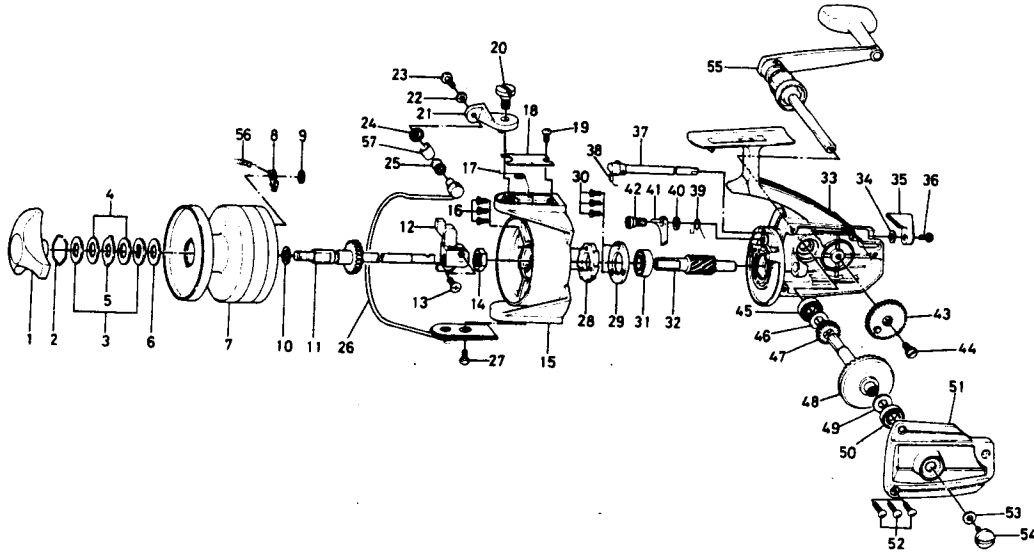


SPINNING REEL 7000C



KEY NO. 2 ~ 9, 56
6B18-0300

SPOOL ASSEMBLY

Key No.	Parts No.	Parts Name
1	6-000-8237	Drag knob
2	6-170-4101	Drag washer retainer
3	6-372-3711	Drag D washer
4	6-372-6504	Disc washer
5	6-372-3832	Drag A washer
6	6-372-3003	Drag washer A
7	6-B18-0101	Spool
8	6-B07-8201	Spool click claw
9	6-320-1402	Spool click claw retainer
10	6-372-9601	Spool washer
11	6-710-6221	Main shaft
12	6-480-7601	Oscillating slider
13	6-351-9001	Oscillating slider screw
14	6-B10-5701	Rotor nut
15	6-201-2004	Rotor
16	6-351-8901	Ratchet screw
17	6-144-2201	Bail spring
18	6-634-6801	Bail spring cover
19	6-351-6101	Bail spring cover screw
20	6-361-7011	Arm lever screw
21	6-231-3001	Arm lever
22	6-375-1101	Bail washer
23	6-363-3111	Bail screw
24	6-501-2001	Roller collar
25	6-250-4501	Line roller
26	6-720-0213	Bail
27	6-351-6401	Bail holder screw
28	6-280-4001	Ratchet

Key No.	Parts No.	Parts Name
29	6-633-1101	Ball bearing ret. washer
30	6-351-8901	Ball bearing ret. washer screw
31	6-635-5001	Ball bearing
32	6-401-6401	Pinion gear
33	6-700-1412	Body
34	6-372-9911	Anti-reverse lever washer
35	6-540-8201	Anti-reverse lever
36	6-351-1801	Anti-reverse lever screw
37	6-710-1821	Anti-reverse cam
38	6-142-3511	Anti-reverse cam spring
39	6-142-3421	Anti-reverse claw spring
40	6-373-2701	Anti-reverse claw washer
41	6-110-9501	Anti-reverse claw
42	6-362-4211	Anti-reverse claw screw
43	6-750-0411	Oscillating gear
44	6-361-9011	Oscillating gear screw
45	6-636-6011	Ball bearing
46	6-371-2822	Drive gear washer A
47	6-401-6501	Oscillating pinion
48	6-412-3211	Drive gear
49	6-371-2800	Drive gear washer B
50	6-636-6011	Ball bearing
51	6-705-1410	Body cover
52	6-351-8801	Body cover screw
53	6-372-3501	Handle washer
54	6-361-2211	Handle screw
55	6-746-8901	Handle
56	6-145-2101	Spool click claw spring
57	6-502-1401	Roller metal