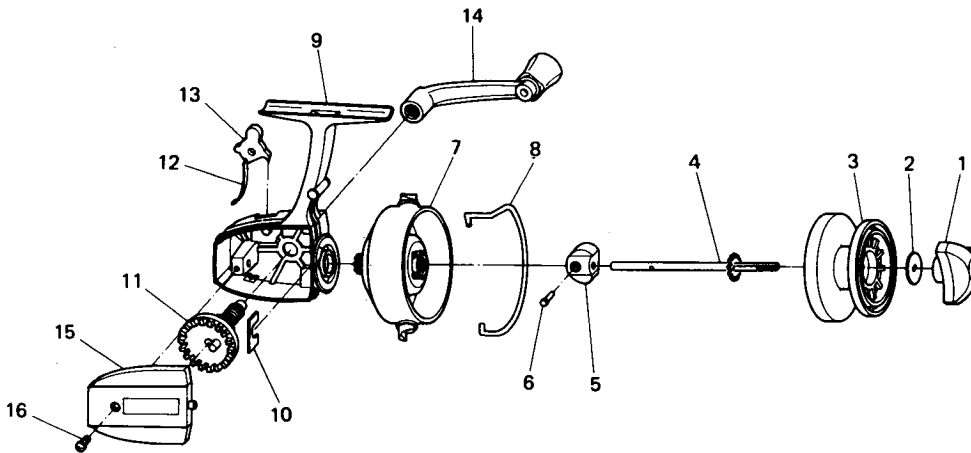
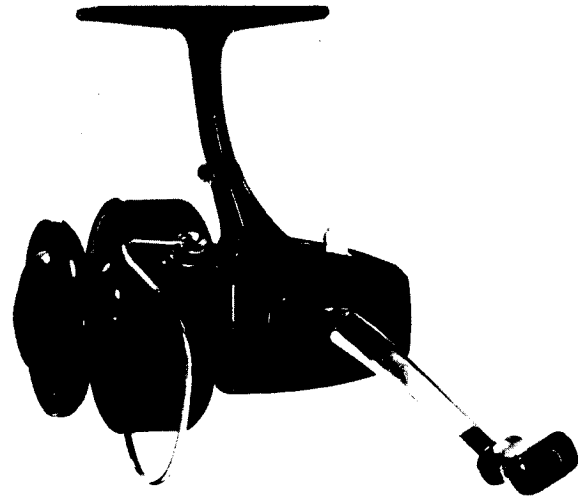




DAIWA

SPINNING REEL 7270A



LINE CAPACITY: 200 YDS., 8 LB. TEST

Key No.	Parts No.	Parts Name	Price	Key No.	Parts No.	Parts Name	Price	Key No.	Parts No.	Parts Name	Price
1	64409521 (4495)	Drag knob	\$.50	9	61904941 (1949)	Body	\$1.50	16	63517001 (35170)	Body cover screw	\$.50
2	63728711 (37287)	Drag washer	.50	10	66324011 (63240)	Pinion retainer	.50				
3	60027721 (A00277)	Spool	1.00	11	64117001 (41170)	Drive gear	.75				
4	67102512	Main shaft	.55	12	61506201 (1562)	Anti-reverse claw spring	.50				
5	64805101 (4851)	Oscillating slider	.50	13	61104711 (1147)	Anti-reverse claw	.50				
6	64904411 (4944)	Oscillating slider pin	.50	14	60029701 (A00297)	Handle	1.00				
7	60009911 (A0099)	Rotor	1.25	15	67056705 (06117)	Body cover	.50				
8	62202331 (2223)	Bail	.50								

ALWAYS SPECIFY MODEL NO., PART NAME & PARTS NO. WHEN ORDERING PARTS
PLEASE ENCLOSE CORRECT AMOUNT FOR PART'S PRICE WHEN ORDERING