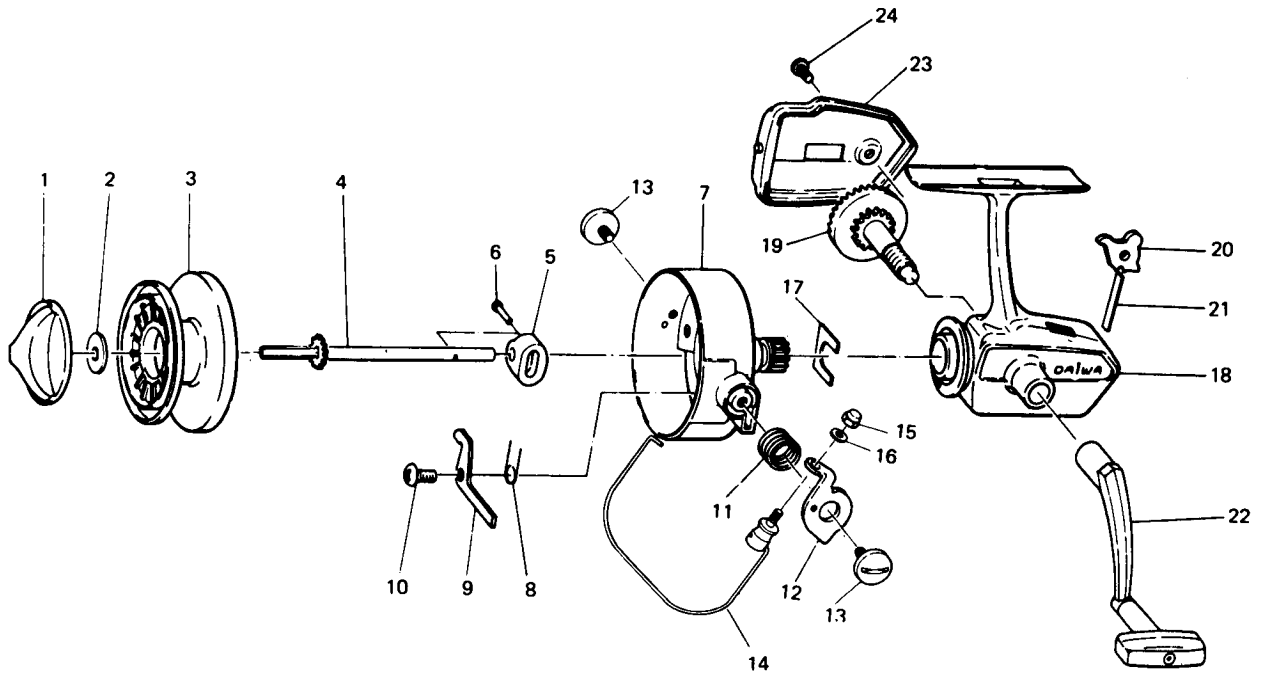
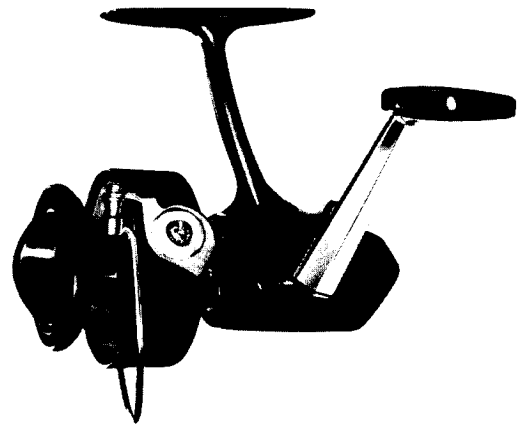




SPINNING REEL 7280A



LINE CAPACITY: 200 YDS., 8 LB. TEST

Key No.	Parts No.	Parts Name	Price	Key No.	Parts No.	Parts Name	Price	Key No.	Parts No.	Parts Name	Price
1	64409521 (4495)	Drag knob	\$.50	9	65706511 (5765)	Bail kick lever	\$.50	17	66324011 (63240-1)	Pinion retainer	\$.50
2	63728711 (37287-1)	Drag washer	.50	10	63521101 (35211)	Bail kick lever screw	.50	18	61915311 (19153)	Body	2.00
3	60027721 (A00277)	Spool	1.50	11	61409221 (1492a-1)	Bail spring	.50	19	64117001 (41170)	Drive gear	.75
4	67102513	Main shaft	.55	12	62307921 (2379)	Arm lever	.50	20	61104711 (1147)	Anti-reverse claw	.50
5	64805101 (4851)	Oscillating slider	.50	13	63623411 (36234)	Arm lever screw	.50	21	61506201 (1562)	Anti-reverse claw spring	.50
6	64904411 (4944)	Oscillating slider pin	.50	14	60079012	Bail	1.00	22	60090401 (A00904)	Handle	1.25
7	62010501 (20105)	Rotor	1.75	15	63419901	Bail nut	.50	23	60079111 (A00791)	Body cover	.50
8	61425711 (14257)	Bail kick lever spring	.50	16	61600121 (1601b)	Bail washer	.50	24	63522501 (35225)	Body cover screw	.50

ALWAYS SPECIFY MODEL NO., PART NAME & PARTS NO. WHEN ORDERING PARTS
PLEASE ENCLOSE CORRECT AMOUNT FOR PART'S PRICE WHEN ORDERING