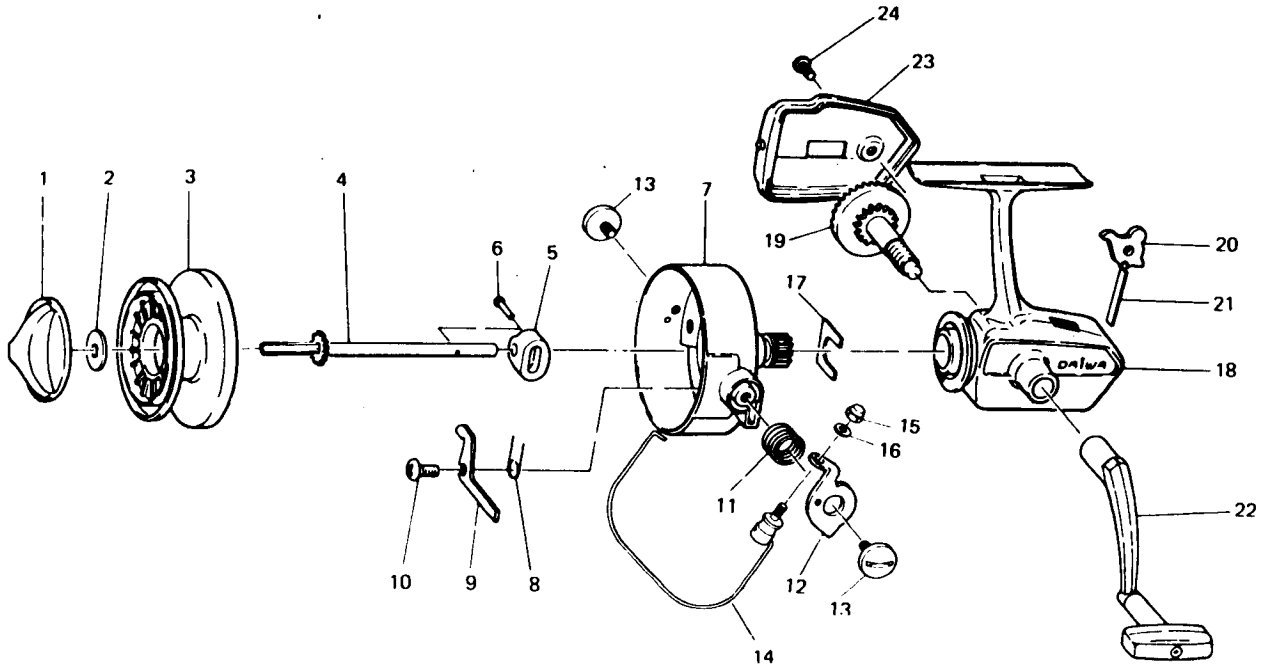




# SPINNING REEL 7280B



LINE CAPACITY: 200 YDS., 8 LB. TEST (290m Dia. 0.23mm)

Key No.	Parts No.	Parts Name	Key No.	Parts No.	Parts Name
1	64413501	Drag knob	13	63623411	Arm lever screw
2	63747901	Drag washer	14	67253801	Bail
3	67308001	Spool	15	63419901	Bail nut
4	67105401	Main shaft	16	61600121	Bail washer
5	64805101	Oscillating slider	17	66324011	Pinion retainer
6	64904411	Oscillating slider pin	18	61924001	Body
7	62015601	Rotor	19	64128901	Drive gear
8	61425711	Bail kick lever spring	20	61104711	Anti-reverse claw
9	65706511	Bail kick lever	21	61506201	Anti-reverse claw spring
10	63521101	Bail kick lever screw	22	67457402	Handle
11	61409231	Bail spring	23	60079111	Body cover
12	62311001	Arm lever	24	63522501	Body cover screw