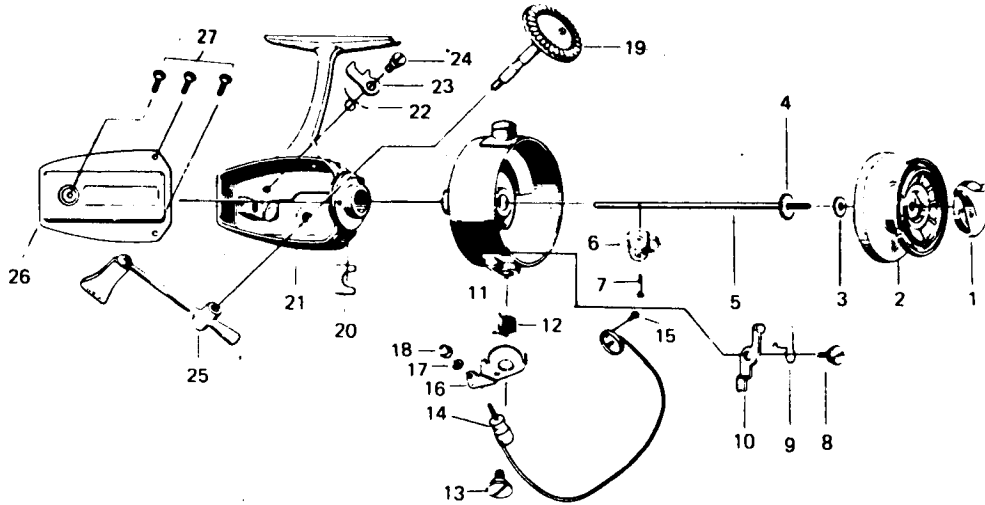


SPINNING REEL 7290D



LINE CAPACITY: 250 YDS., 8 LB. TEST (250m Dia. 0.27mm)

Key No.	Parts No.	Parts Name	Key No.	Parts No.	Parts Name
1	64413501	Drag knob	15	63517001	Bail holder screw
2	67308101	Spool assembly	16	62307011	Arm lever
3	63746402	Spool washer	17	61600121	Bail washer
4	62706501	Click gear	18	63419901	Bail nut
5	63927801	Main shaft	19	64129101	Drive gear
6	64810201	Oscillating slider	20	63725801	Pinion retaining washer
7	61216301	Oscillating slider pin	21	67003801	Body
8	63611512	Bail kick lever screw	22	61411581	Anti-reverse claw spring
9	61406231	Bail kick lever spring	23	61113101	Anti-reverse claw
10	65709501	Bail kick lever	24	63522501	Anti-reverse claw screw
11	67352701	Rotor	25	67457601	Handle
12	61409231	Bail spring	26	67055601	Body cover
13	63631301	Arm lever screw	27	63520401	Body cover screw
14	67254001	Bail			