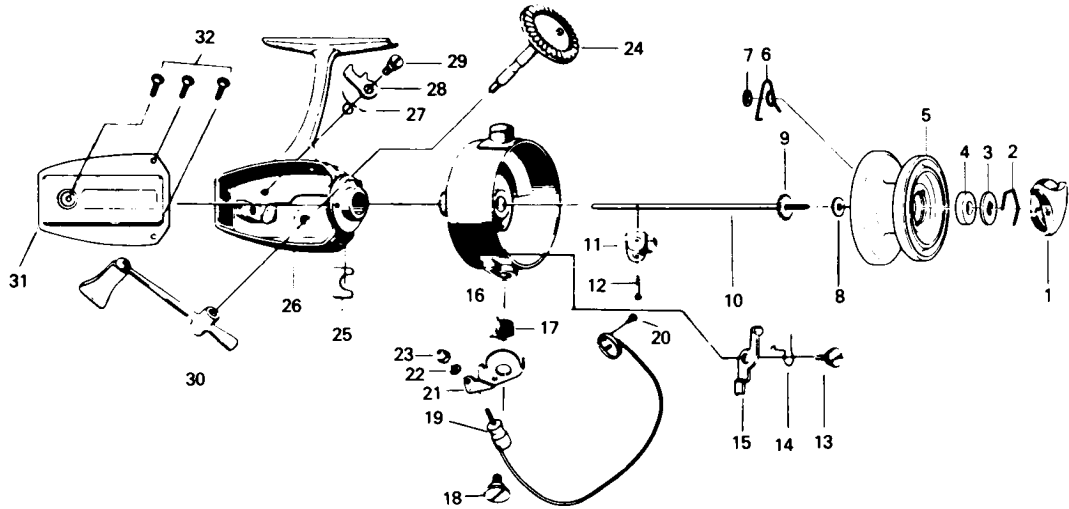


**SPINNING REEL 7290D**



**LINE CAPACITY: 250 YDS., 8 LB. TEST (230m. 3.6kg)**

Key No. 2 ~ 7

6-730-8101 Spool assembly \$2.50

Key No.	Parts No.	Parts Name	Price Per Piece	Key No.	Parts No.	Parts Name	Price Per Piece
1	6-441-3501	Drag knob	\$ .55	17	6-140-9231	Bail spring	\$ .15
2	6-170-5201	Drag washer retainer	.10	18	6-361-3931	Arm lever screw	.60
3	6-374-7901	Drag D washer	.15	19	6-725-4001	Bail	1.40
4	6-371-4621	Disc washer	.20	20	6-351-7001	Bail holder screw	.10
5	6-513-0311	Spool	N/A	21	6-230-7012	Arm lever	.30
6	6-141-1611	Spool click claw	.20	22	6-160-0121	Bail washer	.10
7	6-320-3501	Spool click claw retainer	.15	23	6-341-9902	Bail nut	.20
8	6-374-6402	Spool washer	.10	24	6-412-9101	Drive gear	.95
9	6-270-6501	Click gear	.15	25	6-372-5801	Pinion retainer	.10
10	6-710-5501	Main shaft	.70	26	6-700-3801	Body	2.50
11	6-481-0231	Oscillating slider	.35	27	6-141-1581	Anti-reverse claw spring	.10
12	6-121-6301	Oscillating slider pin	.10	28	6-111-3101	Anti-reverse claw	.10
13	6-361-1512	Bail kick lever screw	.25	29	6-352-2502	Anti-reverse claw screw	.15
14	6-140-6231	Bail kick lever spring	.10	30	6-745-7601	Handle	1.75
15	6-570-9512	Bail kick lever	.50	31	6-705-6601	Body cover	.10
16	6-735-2704	Rotor	3.25	32	6-352-0402	Body cover screw	.10