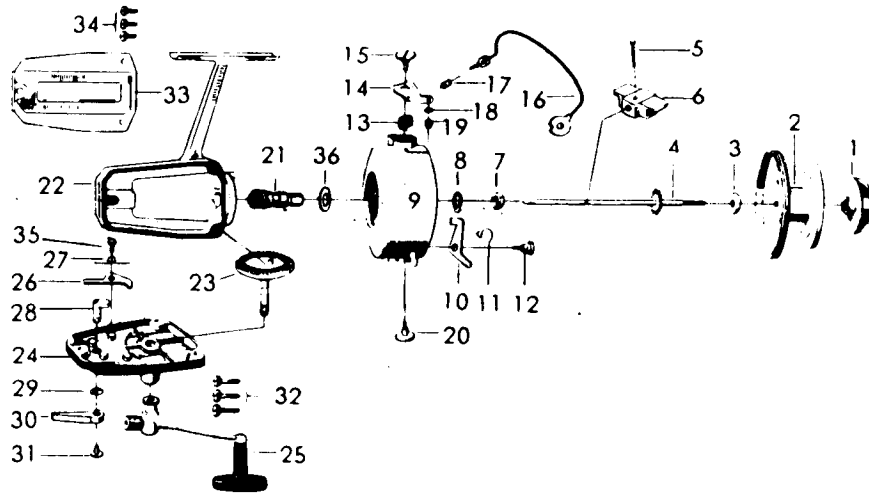




# SPINNING REEL 7300B



LINE CAPACITY: 300 YDS., 10 LB. TEST (370m Dia. 0.27mm)

Key No.	Parts No.	Parts Name	Key No.	Parts No.	Parts Name
1	60034426	Drag knob	25	67457711	Handle
2	67308201	Spool assembly	26	61102021	Anti-reverse claw
3	63714411	Spool washer	27	61410026	Anti-reverse claw spring
4	67105601	Main shaft	28	64611501	Anti-reverse cam
5	61216301	Oscillating slider pin	29	61501751	Anti-reverse lever washer
6	64803511	Oscillating slider	30	65410901	Anti-reverse lever
7	63405842	Rotor nut	31	63501931	Anti-reverse lever screw
8	61601611	Rotor retaining washer	32	63516401	Body cover A screw
9	67352901	Rotor	33	67055501	Body cover B
10	65709001	Bail kick lever	34	63520401	Body cover B screw
11	61405031	Bail kick lever spring	35	63512561	Anti-reverse claw screw
12	63611512	Bail kick lever screw	36	63716420	Pinion washer
13	61409231	Bail spring			
14	62310901	Arm lever			
15	63616411	Arm lever screw			
16	67254201	Bail			
17	62503801	Line roller			
18	61600121	Bail washer			
19	63419901	Bail nut			
20	63631401	Bail holder screw			
21	64021201	Pinion			
22	61924401	Body			
23	64129201	Drive gear			
24	60626301	Body cover A			