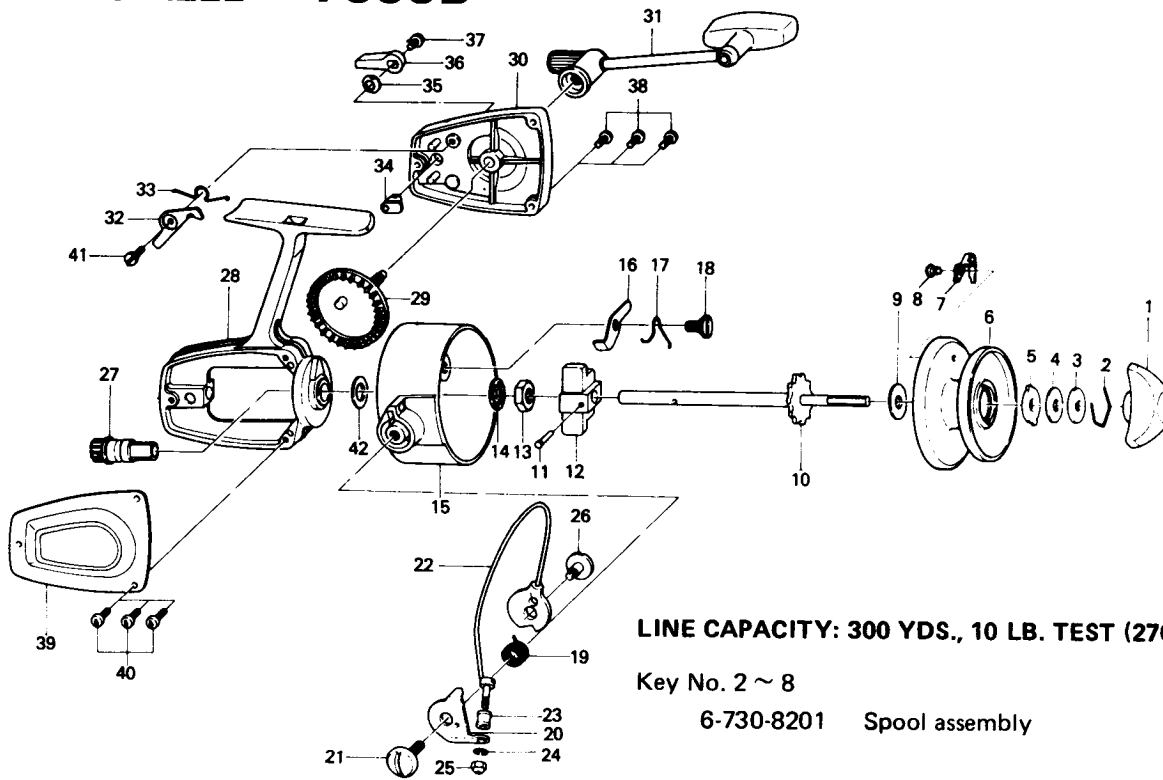


SPINNING REEL 7300B



LINE CAPACITY: 300 YDS., 10 LB. TEST (270m. 4.5kg)

Key No. 2 ~ 8

6-730-8201 Spool assembly \$3.60

Key No.	Parts No.	Parts Name	Price Per Piece	Key No.	Parts No.	Parts Name	Price Per Piece
1	6-003-4426	Drag knob	\$1.90	22	6-725-4201	Bail	\$2.10
2	6-170-5201	Drag washer retainer	.10	23	6-250-3801	Line roller	.40
3	6-374-8001	Drag D washer	.15	24	6-160-0121	Bail washer	.10
4	6-370-6901	Disc washer	.15	25	6-341-9901	Bail nut	.20
5	6-372-4701	Drag A washer	.10	26	6-361-6501	Bail holder screw	.50
6	6-513-0401	Spool	N/A	27	6-402-1201	Pinion gear	.75
7	6-030-4301	Spool click claw	.20	28	6-192-4421	Body	3.50
8	6-350-8911	Spool click claw screw	.10	29	6-412-9201	Drive gear	1.00
9	6-371-4411	Spool washer	.10	30	6-062-6301	Body cover	1.85
10	6-710-5601	Main shaft	.90	31	6-745-7711	Handle	2.35
11	6-121-6301	Oscillating slider pin	.10	32	6-110-2021	Anti-reverse claw	.20
12	6-480-3511	Oscillating slider	.35	33	6-141-0026	Anti-reverse claw spring	.10
13	6-340-5842	Rotor nut	.25	34	6-461-1501	Anti-reverse cam	.25
14	6-160-1612	Rotor retaining washer	.10	35	6-150-1751	Anti-reverse lever washer	.10
15	6-735-2911	Rotor	2.75	36	6-541-0901	Anti-reverse lever	.35
16	6-570-9001	Bail kick lever	.50	37	6-350-1931	Anti-reverse lever screw	.10
17	6-140-5031	Bail kick lever spring	.10	38	6-351-6401	Body cover A screw	.10
18	6-361-1512	Bail kick lever screw	.25	39	6-705-5501	Body cover B	1.10
19	6-140-9231	Bail spring	.15	40	6-352-0401	Body cover B screw	.10
20	6-231-0901	Arm lever	.45	41	6-351-2561	Anti-reverse claw screw	.15
21	6-361-6411	Arm lever screw	.60	42	6-371-6420	Pinion washer	.10