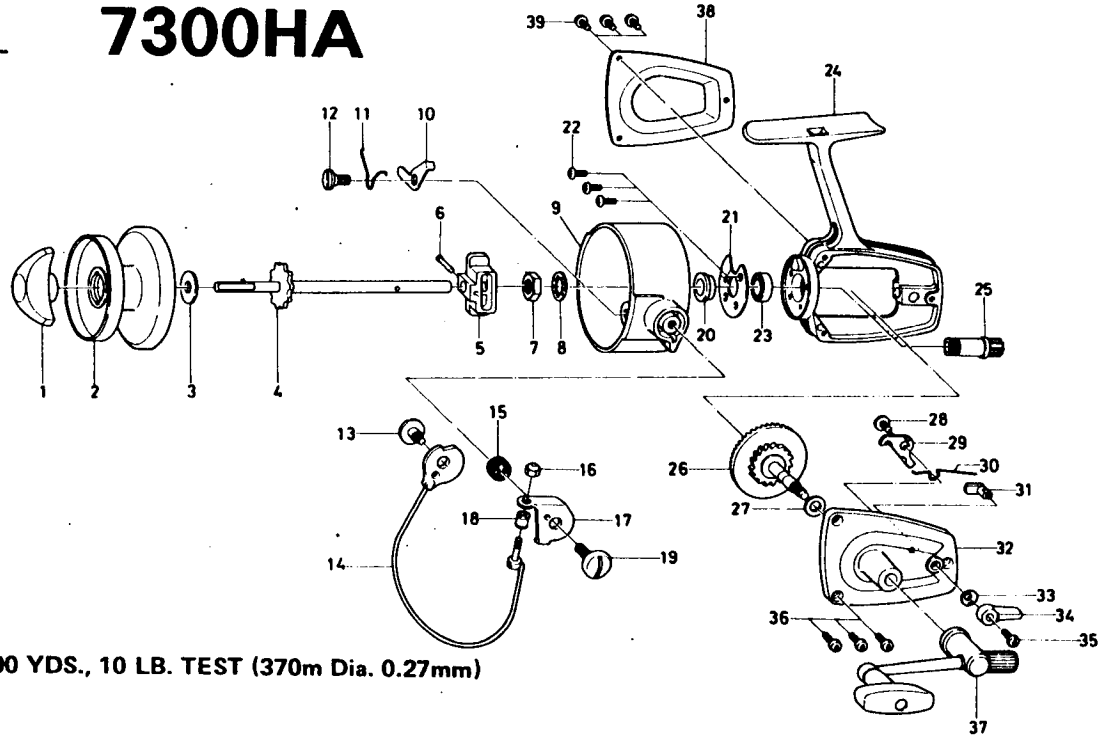


SPINNING REEL 7300HA



LINE CAPACITY: 300 YDS., 10 LB. TEST (370m Dia. 0.27mm)

Key No.	Parts No.	Parts Name	Key No.	Parts No.	Parts Name
1	60034424	Drag knob	21	61505631	Ball bearing retaining washer
2	60034741	Spool assembly	22	63501931	Ball bearing retaining washer screw
3	63714411	Spool washer	23	66316901	Ball bearing
4	60034511	Main shaft	24	61923303	Body
5	64803511	Oscillating slider	25	64007021	Pinion
6	64902421	Oscillating slider pin	26	64109851	Drive gear
7	63405842	Rotor nut	27	63700350	Drive gear washer
8	61601611	Rotor retaining washer	28	63512561	Anti-reverse claw screw
9	60058644	Rotor	29	61103721	Anti-reverse claw
10	65706611	Bail kick lever	30	61414411	Anti-reverse claw spring
11	61405031	Bail kick lever spring	31	64602011	Anti-reverse cam
12	63611511	Bail kick lever screw	32	60625721	Body cover A
13	63616501	Bail holder screw	33	61501751	Anti-reverse lever washer
14	60028831	Bail	34	65402221	Anti-reverse lever
15	61409221	Bail spring	35	63501931	Anti-reverse lever screw
16	63408201	Bail nut	36	63511501	Body cover A screw
17	62301651	Arm lever	37	60006141	Handle
18	62500231	Line roller	38	67055503	Body cover B
19	63616611	Arm lever screw	39	63511301	Body cover B screw
20	65003212	Pinion collar			