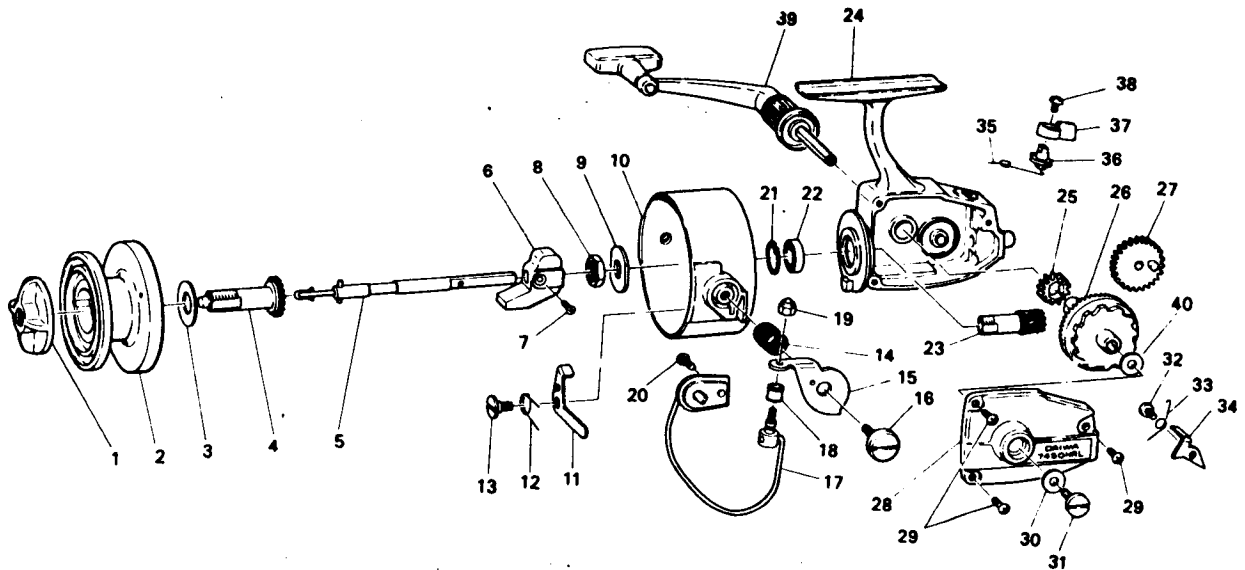




SPINNING REEL 7450HRL



LINE CAPACITY: 255 YDS., 10 LB. TEST (290m Dia. 0.30mm)

Key No.	Parts No.	Parts Name		Key No.	Parts No.	Parts Name
1	60078414	Drag knob	Sold	21	63202911	Ball bearing retaining ring
2	60078632	Spool assembly	As	22	66316901	Ball bearing
3	63731502	Spool washer	One	23	64013901	Pinion
4	60078561	Spool metal	Unit	24	60076141	Body
5	60076451	Main shaft		25	64013701	Oscillating pinion
6	64806301	Oscillating slider		26	64120211	Drive gear
7	63521501	Oscillating slider screw		27	64014801	Oscillating gear
8	63405842	Rotor nut		28	60076501	Body cover
9	63729202	Rotor retaining washer		29	63521601	Body cover screw
10	62010211	Rotor		30	63724601	Handle washer
11	65706411	Bail kick lever		31	63515531	Handle screw
12	61425321	Bail kick lever spring		32	63501931	Anti-reverse claw screw
13	63612901	Bail kick lever screw		33	61425411	Anti-reverse claw spring
14	61409221	Bail spring		34	61107401	Anti-reverse claw
15	62308301	Arm lever		35	61422801	Anti-reverse cam spring
16	63616611	Arm lever screw		36	64606821	Anti-reverse cam
17	60076201	Bail		37	65403711	Anti-reverse lever
18	62501901	Line roller		38	63501931	Anti-reverse lever screw
19	63409101	Bail nut		39	60076653	Handle
20	63516401	Bail holder screw		40	63705150	Drive gear washer