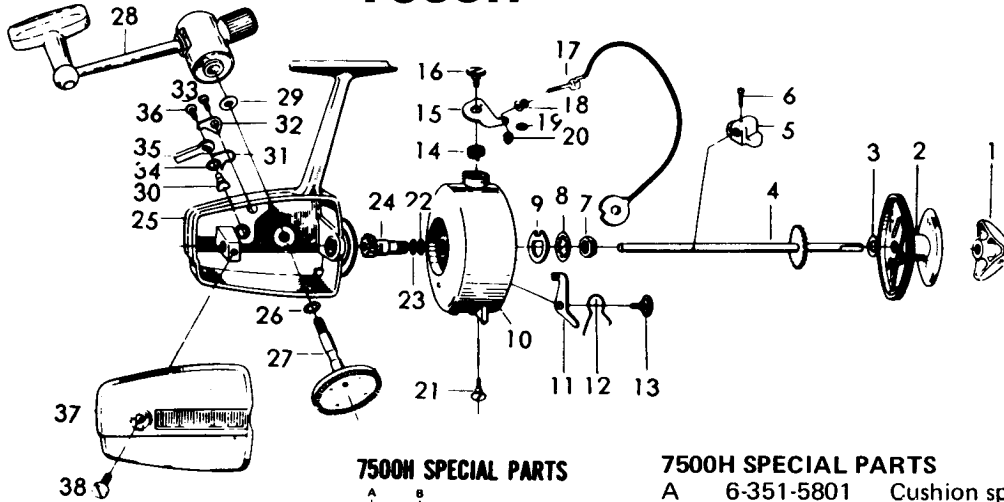
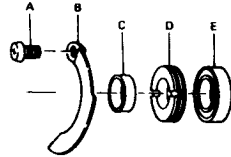


SPINNING REEL 7500 7500H



7500H SPECIAL PARTS



7500H SPECIAL PARTS

A	6-351-5801	Cushion spring retaining screw	\$.10
B	6-150-5221	Cushion spring	.40
C	6-500-2131	Pinion collar	.25
D	6-340-7721	Ball bearing retaining nut	.25
E	6-631-0041	Ball bearing	4.30

LINE CAPACITY: 270 YDS., 12 LB. TEST (250m. 5.5kg)

Key No.	Parts No.	Parts Name	Price Per Piece	Key No.	Parts No.	Parts Name	Price Per Piece
1	6-005-1802	Drag knob	\$1.35	25	6-005-3323	Body	\$3.75
2	6-000-7041	Spool assembly	4.60	26	6-370-0352	Drive gear washer	.10
3	6-371-2731	Spool washer	.10	27	6-411-4411	Drive gear	2.05
4	6-004-3331	Main shaft	1.00	28	6-000-6141	Handle	3.15
5	6-480-3231	Oscillating slider	.40	29	6-371-3011	Handle washer	.15
6	6-490-2421	Oscillating slider pin	.10	30	6-460-1861	Anti-reverse cam	.20
7	6-340-5842	Rotor nut	.25	31	6-140-9031	Anti-reverse claw spring	.10
8	6-160-1611	Rotor washer	.10	32	6-110-1711	Anti-reverse claw	.10
9	6-371-3111	Rotor retaining washer	.20	33	6-351-2561	Anti-reverse claw screw	.15
10	6-004-3151	Rotor	4.75	34	6-150-1751	Anti-reverse lever washer	.10
11	6-570-2641	Bail kick lever	.35	35	6-540-1911	Anti-reverse lever	.40
12	6-140-5031	Bail kick lever spring	.10	36	6-350-1931	Anti-reverse lever screw	.10
13	6-361-1511	Bail kick lever screw	.25	37	6-705-6201	Body cover	1.85
14	6-141-2801	Bail spring	.10	38	6-360-6911	Body cover screw	.10
15	6-230-1651	Arm lever	.45	(19, 22, 23, 7500 only)			
16	6-361-6411	Arm lever screw	.60	For 7500H only			
17	6-002-9021	Bail	2.25	20	6-340-8201	Bail nut	.50
18	6-250-1011	Line roller	.40	24	6-400-6971	Pinion	1.40
19	6-160-0121	Bail washer	.10	25	6-190-8932	Body	3.75
20	6-340-2011	Bail nut	.50	27	6-411-4531	Drive gear	2.05
21	6-361-6501	Bail holder screw	.50	28	6-000-6142	Handle	3.15
22	6-371-3801	Pinion adjusting washer	.10	32	6-110-1711	Anti-reverse claw	.20
23	6-371-2823	Pinion washer	.10	37	6-705-6202	Body cover	1.35
24	6-400-5521	Pinion	1.40				