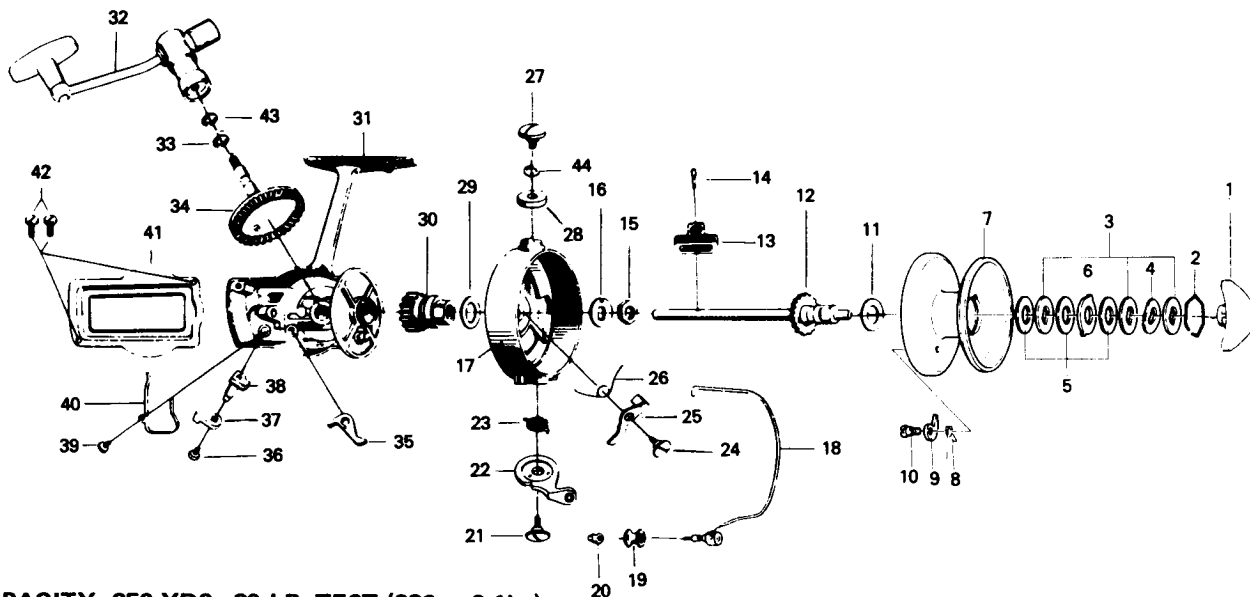


## SPINNING REEL 7700A



LINE CAPACITY: 250 YDS., 20 LB. TEST (230m. 9.1kg)

Key No. 2 ~ 10

6-730-8301 Spool assembly \$5.50

Key No.	Parts No.	Parts Name	Price Per Piece	Key No.	Parts No.	Parts Name	Price Per Piece
1	6-005-8802	Drag knob	\$2.70	23	6-143-8301	Bail spring	\$ .15
2	6-170-4101	Drag washer retainer	.10	24	6-363-1501	Bail kick lever screw	.20
3	6-374-8201	Drag D washer	.40	25	6-570-9301	Bail kick lever	.50
4	6-150-3211	Drag spring washer	.15	26	6-140-6231	Bail kick lever spring	.10
5	6-371-0011	Disc washer	.40	27	6-363-1601	Bail holder screw	.70
6	6-370-9711	Drag A washer	.20	28	6-630-3601	Bail holder cap	.25
7	6-513-0501	Spool	N/A	29	6-370-9820	Pinion washer	.10
8	6-140-8841	Spool click claw spring	.10	30	6-402-1301	Pinion gear	2.95
9	6-040-0521	Spool click claw	.25	31	6-700-4011	Body	6.00
10	6-363-1701	Spool click claw screw	.15	32	6-745-7801	Handle	4.65
11	6-374-6302	Spool washer	.10	33	6-370-9920	Drive gear washer	.10
12	6-710-5701	Main shaft	1.75	34	6-412-9301	Drive gear	2.25
13	6-481-0101	Oscillating slider	.40	35	6-110-1641	Anti-reverse claw	.20
14	6-121-6401	Oscillating slider pin	.15	36	6-350-1931	Anti-reverse lever screw	.10
15	6-340-8301	Rotor nut	.20	37	6-540-1311	Anti-reverse lever	.40
16	6-374-8101	Rotor retaining washer	.15	38	6-461-1601	Anti-reverse cam	.20
17	6-735-2821	Rotor	5.00	39	6-352-2201	Anti-reverse spring screw	.10
18	6-002-8611	Bail	2.70	40	6-150-3361	Anti-reverse lever spring	.30
19	6-250-1501	Line roller	.40	41	6-006-9301	Body cover	2.00
20	6-340-8501	Bail nut	.40	42	6-351-6601	Body cover screw	.10
21	6-363-1601	Arm lever screw	.70	43	6-371-0602	Handle washer	.10
22	6-230-1861	Arm lever	.15	44	6-371-4501	Bail holder washer	.10