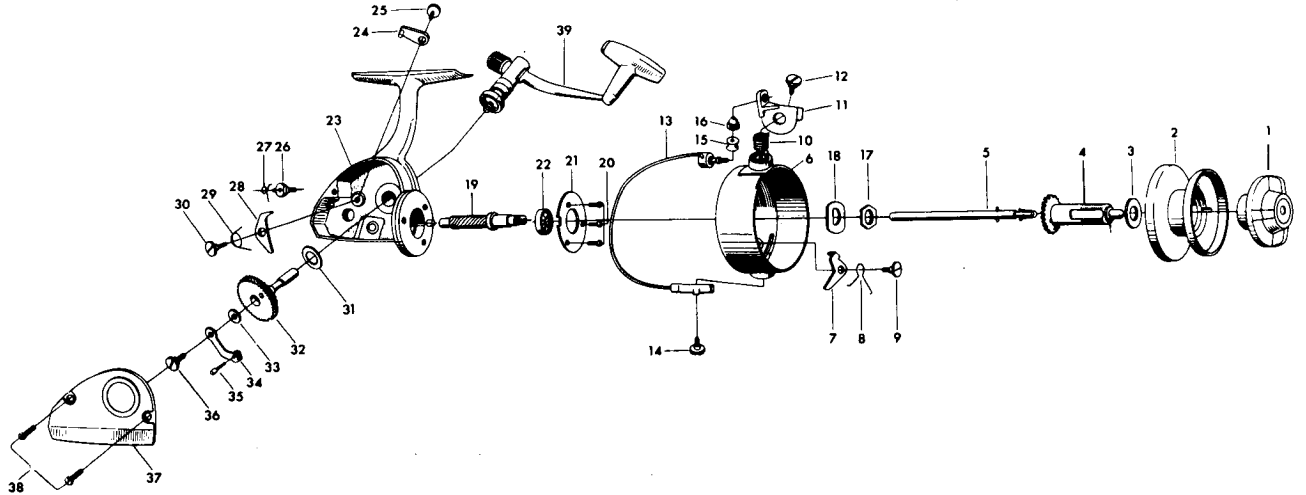
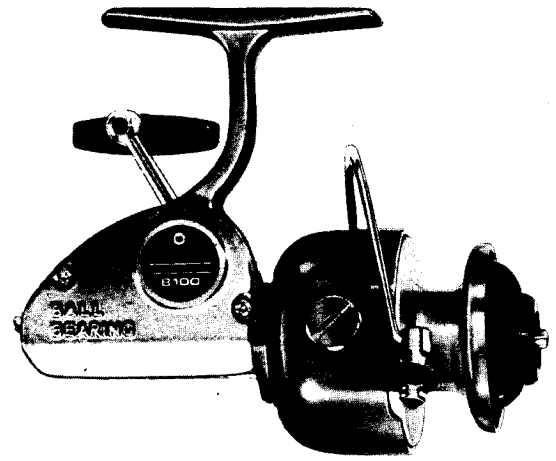




DAIWA

SPINNING REEL

8100A



LINE CAPACITY: 200 YDS., 6 LB. TEST

Key No.	Parts No.	Parts Name	Price	Key No.	Parts No.	Parts Name	Price	Key No.	Parts No.	Parts Name	Price	
1	60021742 (A00217)	Drag knob	\$8.50	14	63615001 (36150)	Bail holder screw	.60	27	61417201 (14172)	Anti-reverse cam spring	\$.50	
2	67305321 (A00265)	Spool assembly		Sold As One Unit	15	62501901 (2519)	Line roller	.50	28	61105501 (1155)	Anti-reverse claw	.50
3	63727501 (37275)	Spool washer			16	63409101 (3491)	Bail nut	.50	29	61418511 (14185)	Anti-reverse claw spring	.50
4	60028531 (A00285)	Spool metal		17	63405842 (3458)	Rotor nut	.50	30	63614701 (36147)	Anti-reverse claw screw	.50	
5	60021231 (A00212)	Main shaft	1.40	18	63726801 (37268)	Rotor retaining washer	.50	31	63712826 (37128-2)	Drive gear washer	.50	
6	60021341 (A00213)	Rotor	4.00	19	64010911 (40109)	Pinion	3.00	32	67501501	Drive gear	5.00	
7	65705001 (5750)	Bail kick lever	.50	20	63516501 (35165)	Ball bearing retaining washer screw	.50	33	63715611 (37156)	Oscillating slider washer	.50	
8	61418801 (14188)	Bail kick lever spring	.50	21	66328501 (63285)	Ball bearing retaining washer	.50	34	64804611 (4846)	Oscillating slider	.50	
9	63614701 (36147)	Bail kick lever screw	.50	22	66317611 (63176)	Ball bearing	4.00	35	61207922 (1279)	Oscillating slider pin	.50	
10	61419511 (14195)	Bail spring	.50	23	61904701 (1947)	Body	5.30	36	63615311 (36153)	Oscillating slider screw	.50	
11	62306001 (2360)	Arm lever	1.00	24	65405101 (5451)	Anti-reverse lever	.50	37	60021802 (A00218)	Body cover	2.25	
12	63615811 (36158)	Arm lever screw	.60	25	63501931 (3519a)	Anti-reverse lever screw	.50	38	63511101 (35111)	Body cover screw	.50	
13	60026311 (A00263)	Bail	2.75	26	64605601 (4656)	Anti-reverse cam	.50	39	67456501	Handle	4.00	

ALWAYS SPECIFY MODEL NO., PART NAME & PARTS NO. WHEN ORDERING PARTS
PLEASE ENCLOSE CORRECT AMOUNT FOR PART'S PRICE WHEN ORDERING