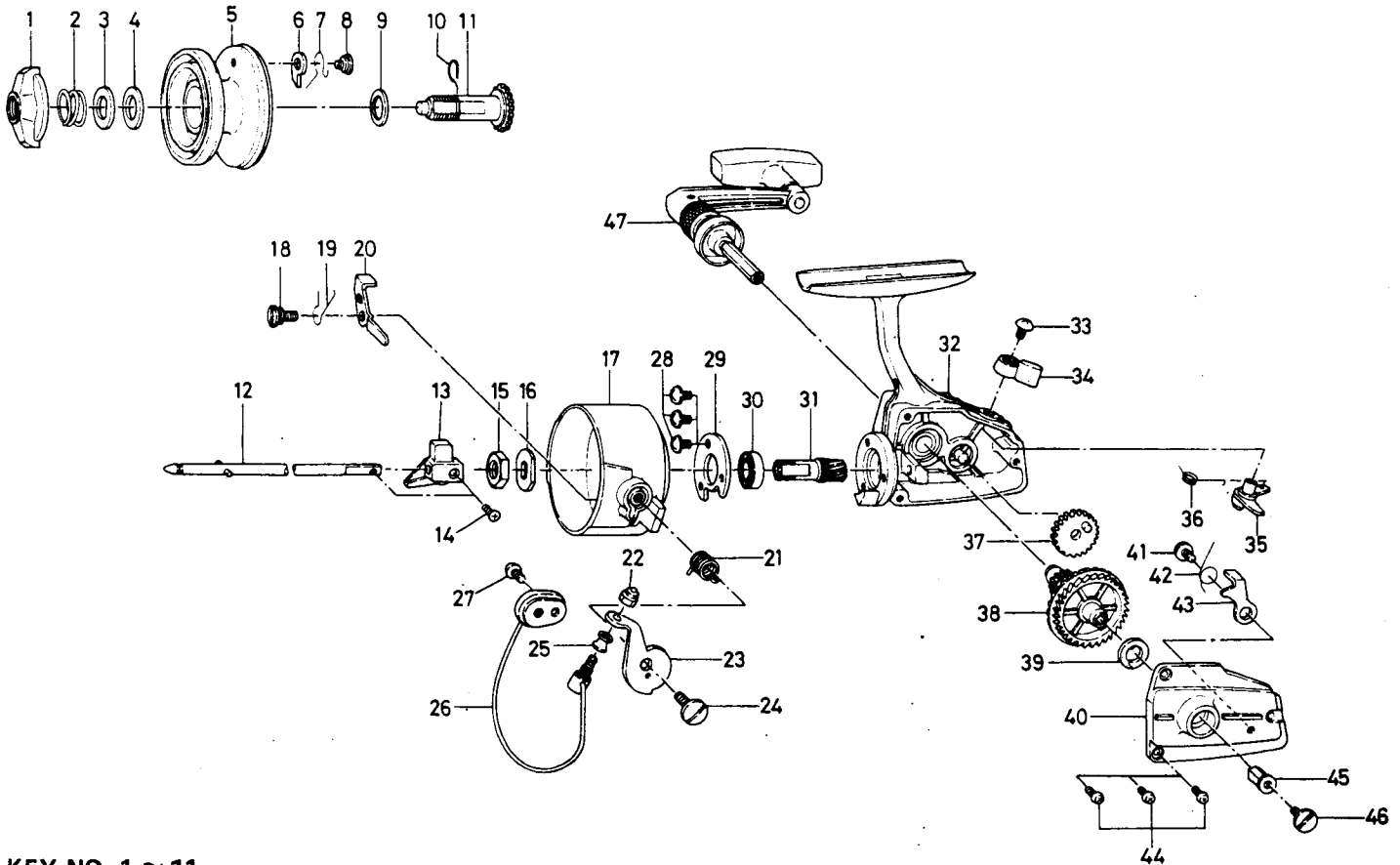


## SPINNING REEL 8150HRL



### KEY NO. 1 ~ 11

6-731-4362

### SPOOL ASSEMBLY

Key No.	Parts No.	Parts Name
1	6-441-5301	Drag knob
2	6-141-8721	Coil spring
3	6-373-6401	Disc washer
4	6-373-6501	Washer
5	6-513-4252	Spool
6	6-030-4101	Spool click claw
7	6-143-7431	Spool click claw spring
8	6-363-0711	Spool click claw spring screw
9	6-371-4902	Spool washer
10	6-142-7811	Spool metal leaf spring
11	6-720-0121	Spool metal
12	6-710-9721	Main shaft
13	6-481-0521	Oscillating slider
14	6-351-0311	Oscillating slider screw
15	6-341-9201	Rotor nut
16	6-375-3101	Rotor retaining washer
17	6-201-1322	Rotor
18	6-361-8202	Bail kick lever screw
19	6-143-4801	Bail kick lever spring
20	6-570-7111	Bail kick lever
21	6-141-0651	Bail spring
22	6-341-2701	Bail nut
23	6-231-0431	Arm lever
24	6-361-8532	Arm lever screw

Key No.	Parts No.	Parts Name
25	6-250-1921	Line roller
26	6-725-3331	Bail
27	6-351-6401	Bail holder screw
28	6-350-1931	Ball bearing ret. washer screw
29	6-633-5521	Ball bearing ret. washer
30	6-634-1301	Ball bearing
31	6-402-2201	Pinion gear
32	6-700-6908	Body
33	6-350-1931	Anti-reverse lever screw
34	6-541-3132	Anti-reverse lever
35	6-460-6821	Anti-reverse cam
36	6-142-2801	Anti-reverse cam spring
37	6-413-2601	Oscillating gear
38	6-413-0221	Drive gear
39	6-370-5100	Drive gear washer
40	6-062-8803	Body cover
41	6-351-7701	Anti-reverse claw screw
42	6-143-9601	Anti-reverse claw spring
43	6-111-3411	Anti-reverse claw
44	6-351-1101	Body cover screw
45	6-501-8501	Handle screw holder
46	6-B22-3401	Handle screw
47	6-746-1341	Handle