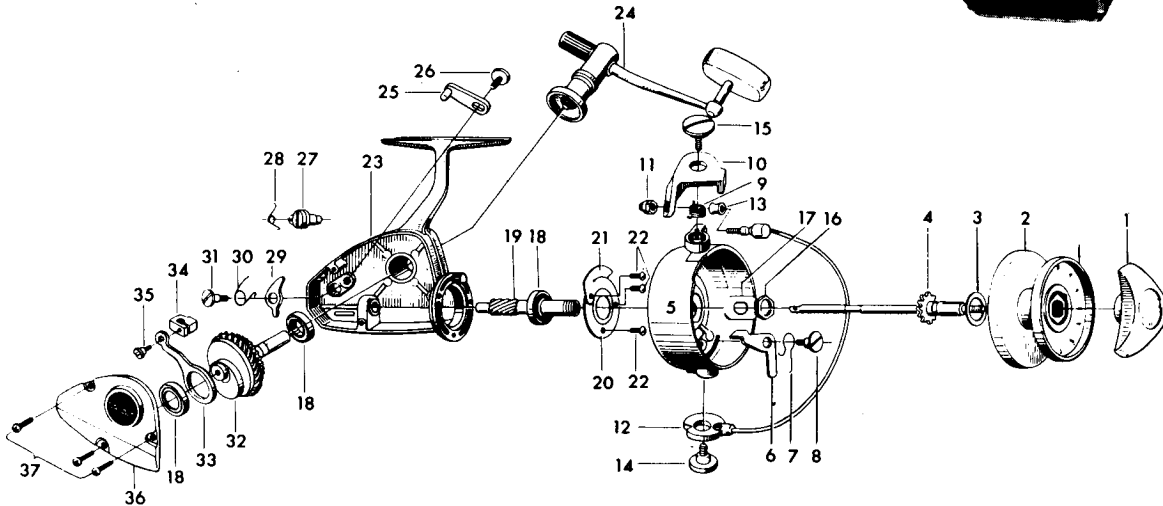
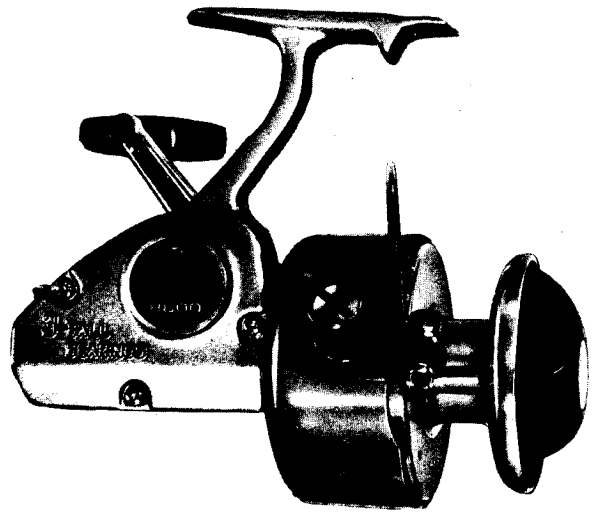




# DAIWA

## SPINNING REEL

## 8600A



LINE CAPACITY: 250 YDS., 15 LB. TEST

Key No.	Parts No.	Parts Name	Price	Key No.	Parts No.	Parts Name	Price	Key No.	Parts No.	Parts Name	Price
1	60008232 (A0082)	Drag knob	\$2.20	14	63612801 (36128)	Bail holder screw	\$.60	26	63501931 (3519a)	Anti-reverse lever screw	\$.50
2	67305511 (A0083)	Spool assembly	9.00	15	63613401 (36134)	Arm lever screw	.60	27	64604001 (4640)	Anti-reverse cam	.50
3	63726503 (37265-3)	Spool washer	.50	16	63404601 (3446)	Rotor nut	.50	28	61417321 (14173)	Anti-reverse cam spring	.50
4	60007931 (A0079)	Main shaft	2.50	17	63724901 (37249)	Rotor retaining washer	.50	29	61104511 (1145)	Anti-reverse claw	.50
5	60013541 (A00135)	Rotor	5.00	18	66317611 (63176)	Ball bearing	4.00	30	61416301 (14163)	Anti-reverse claw spring	.50
6	65704101 (5741)	Bail kick lever	.50	19	64009842 (4098)	Pinion	3.60	31	63613801 (36138)	Anti-reverse claw screw	.50
7	61405031 (1450c)	Bail kick lever spring	.50	20	66323201 (63232)	Ball bearing retaining washer	.50	32	60007721	Drive gear	6.00
8	63612901 (36129)	Bail kick lever screw	.50	21	61506001 (1560)	Cushion spring	.50	33	64804011 (4840a)	Oscillating slider	.60
9	61416411 (14164)	Bail spring	.50	22	63516101 (35161)	Ball bearing ret. washer screw	.50	34	66323301 (63233)	Oscillating support	.50
10	62304611 (2346)	Arm lever	1.00	23	60013222 (A00132)	Body	7.15	35	63613301 (36133)	Oscillating support screw	.50
11	63408501 (3485)	Bail nut	.50	24	67456701	Handle	5.40	36	60014502 (A00145)	Body cover	2.50
12	60002631 (A0026)	Bail	2.75	25	65404521 (5445)	Anti-reverse lever	.50	37	63516401 (35164)	Body cover screw (3 pcs.)	.50
13	62501501 (2515)	Line roller	.50								

ALWAYS SPECIFY MODEL NO., PART NAME & PARTS NO. WHEN ORDERING PARTS  
PLEASE ENCLOSE CORRECT AMOUNT FOR PART'S PRICE WHEN ORDERING