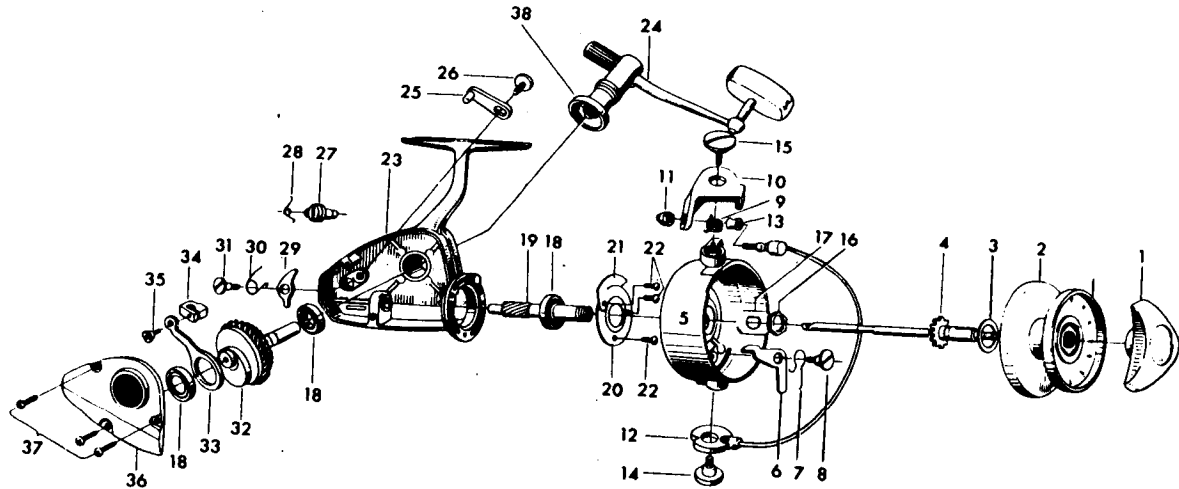




# SPINNING REEL 8600A



— LINE CAPACITY: 270 YDS., 15 LB. TEST (210m Dia. 0.40mm) —

| Key No. | Parts No. | Parts Name             | Key No. | Parts No. | Parts Name                     |
|---------|-----------|------------------------|---------|-----------|--------------------------------|
| 1       | 60008232  | Drag knob              | 20      | 66323201  | Ball bearing retaining washer  |
| 2       | 67305511  | Spool assembly         | 21      | 61506001  | Cushion spring                 |
| 3       | 63726503  | Spool washer           | 22      | 63516101  | Ball bearing ret. washer screw |
| 4       | 60007931  | Main shaft             | 23      | 60013222  | Body                           |
| 5       | 60013541  | Rotor                  | 24      | 67456701  | Handle                         |
| 6       | 65704101  | Bail kick lever        | 25      | 65404521  | Anti-reverse lever             |
| 7       | 61405031  | Bail kick lever spring | 26      | 63501931  | Anti-reverse lever screw       |
| 8       | 63612901  | Bail kick lever screw  | 27      | 64604001  | Anti-reverse cam               |
| 9       | 61416411  | Bail spring            | 28      | 61417321  | Anti-reverse cam spring        |
| 10      | 62304611  | Arm lever              | 29      | 61104511  | Anti-reverse claw              |
| 11      | 63408501  | Bail nut               | 30      | 61416301  | Anti-reverse claw spring       |
| 12      | 60002631  | Bail                   | 31      | 63613801  | Anti-reverse claw screw        |
| 13      | 62501501  | Line roller            | 32      | 60007721  | Drive gear                     |
| 14      | 63612801  | Bail holder screw      | 33      | 64804011  | Oscillating slider             |
| 15      | 63613401  | Arm lever screw        | 34      | 66323301  | Oscillating support            |
| 16      | 63404601  | Rotor nut              | 35      | 63613301  | Oscillating support screw      |
| 17      | 63724901  | Rotor retaining washer | 36      | 60014502  | Body cover                     |
| 18      | 66317611  | Ball bearing           | 37      | 63516401  | Body cover screw (3 pcs.)      |
| 19      | 64009842  | Pinion                 | 38      | 66357101  | Handle cover                   |