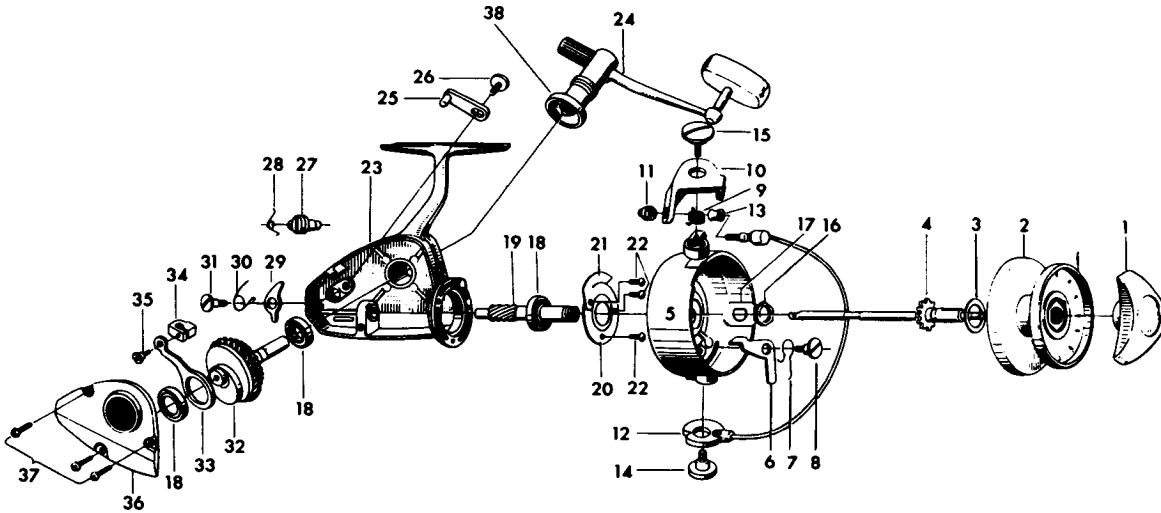


SPINNING REEL 8600A



LINE CAPACITY: 270 YDS., 15 LB. TEST (250m. 6.8kg)

Key No.	Parts No.	Parts Name	Price Per Piece	Key No.	Parts No.	Parts Name	Price Per Piece
1	6-000-8232	Drag knob	\$2.85	20	6-632-3201	Ball bearing retaining washer	\$.40
2	6-730-5511	Spool assembly	9.00	21	6-150-6001	Cushion spring	.45
3	6-372-6503	Spool washer	.10	22	6-351-6101	Ball bearing ret. washer screw	.10
4	6-000-7931	Main shaft	3.15	23	6-001-3222	Body	11.80
5	6-001-3541	Rotor	7.80	24	6-745-6701	Handle	6.75
6	6-570-4101	Bail kick lever	.35	25	6-540-4521	Anti-reverse lever	.50
7	6-140-5031	Bail kick lever spring	.10	26	6-350-1931	Anti-reverse lever screw	.10
8	6-361-2901	Bail kick lever screw	.20	27	6-460-4001	Anti-reverse cam	.35
9	6-141-6411	Bail spring	.20	28	6-141-7321	Anti-reverse cam spring	.10
10	6-230-4611	Arm lever	1.50	29	6-110-4511	Anti-reverse claw	.20
11	6-340-8501	Bail nut	.40	30	6-141-6301	Anti-reverse claw spring	.10
12	6-000-2631	Bail	3.50	31	6-361-3801	Anti-reverse claw screw	.35
13	6-250-1501	Line roller	.40	32	6-000-7721	Drive gear	7.45
14	6-361-2801	Bail holder screw	.65	33	6-480-4011	Oscillating slider	.80
15	6-361-3401	Arm lever screw	.60	34	6-632-3301	Oscillating support	.25
16	6-340-4601	Rotor nut	.20	35	6-361-3301	Oscillating support screw	.45
17	6-372-4901	Rotor retaining washer	.10	36	6-001-4502	Body cover	5.40
18	6-631-7611	Ball bearing	3.65	37	6-351-6401	Body cover screw (3 pcs.)	.10
19	6-400-9842	Pinion	4.00	38	6-635-7101	Handle cover	N/A