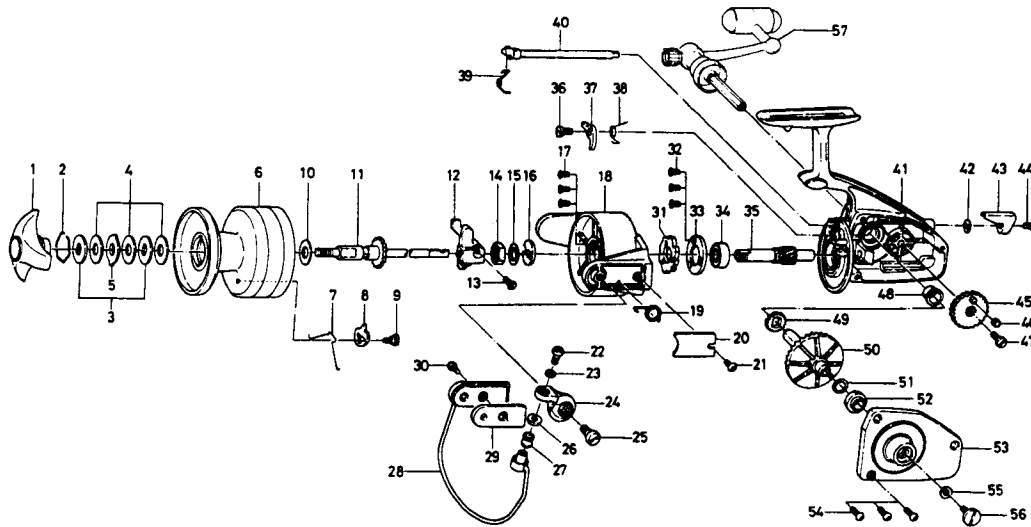


SPINNING REEL 9000C



| Key No. | Parts No. | Parts Name |
|---------|------------|--------------------------|
| 1 | 6-003-1805 | Drag knob |
| 2 | 6-170-4101 | Drag washer retainer |
| 3 | 6-372-3711 | Drag D washer |
| 4 | 6-372-3003 | Disc washer |
| 5 | 6-372-3832 | Drag A washer |
| 6 | 6-B23-0601 | Spool |
| 7 | 6-143-6411 | Spool click claw spring |
| 8 | 6-030-4001 | Spool click claw |
| 9 | 6-361-9801 | Spool click claw screw |
| 10 | 6-372-9601 | Spool washer |
| 11 | 6-003-1931 | Main shaft |
| 12 | 6-480-5221 | Oscillating slider |
| 13 | 6-351-9001 | Oscillating slider screw |
| 14 | 6-B10-5701 | Rotor nut |
| 15 | 6-160-1712 | Rotor washer |
| 16 | 6-372-9301 | Rotor retaining washer |
| 17 | 6-351-8901 | Ratchet screw |
| 18 | 6-200-8503 | Rotor |
| 19 | 6-142-0201 | Bail spring |
| 20 | 6-633-1311 | Bail spring cover |
| 21 | 6-351-6101 | Bail spring cover screw |
| 22 | 6-363-3111 | Bail screw |
| 23 | 6-375-1101 | Bail washer |
| 24 | 6-B21-7601 | Arm lever |
| 25 | 6-B21-7701 | Arm lever screw |
| 26 | 6-501-2001 | Roller collar |
| 27 | 6-250-4501 | Line roller |
| 28 | 6-725-6901 | Bail |
| 29 | 6-210-2901 | Balancer |

| Key No. | Parts No. | Parts Name |
|---------|------------|--------------------------------|
| 30 | 6-351-6101 | Bail holder screw |
| 31 | 6-280-4001 | Ratchet |
| 32 | 6-351-8901 | Ball bearing ret. washer screw |
| 33 | 6-633-1101 | Ball bearing ret. washer |
| 34 | 6-635-5001 | Ball bearing |
| 35 | 6-B26-3201 | Pinion gear |
| 36 | 6-361-6901 | Anti-reverse claw screw |
| 37 | 6-110-6011 | Anti-reverse claw |
| 38 | 6-142-0301 | Anti-reverse claw spring |
| 39 | 6-142-3511 | Anti-reverse cam spring |
| 40 | 6-003-2131 | Anti-reverse cam |
| 41 | 6-003-2431 | Body |
| 42 | 6-373-2700 | Anti-reverse lever washer |
| 43 | 6-540-5801 | Anti-reverse lever |
| 44 | 6-351-1801 | Anti-reverse lever screw |
| 45 | 6-411-7111 | Oscillating gear |
| 46 | 6-120-9301 | Oscillating collar |
| 47 | 6-361-7301 | Oscillating gear screw |
| 48 | 6-501-6201 | Bearing metal A |
| 49 | 6-401-1701 | Oscillating pinion |
| 50 | 6-B26-3301 | Drive gear |
| 51 | 6-371-2800 | Drive gear washer |
| 52 | 6-501-6101 | Bearing metal B |
| 53 | 6-003-4217 | Body cover |
| 54 | 6-351-8801 | Body cover screw |
| 55 | 6-372-3501 | Handle washer |
| 56 | 6-B40-9401 | Handle screw |
| 57 | 6-B31-8602 | Handle |