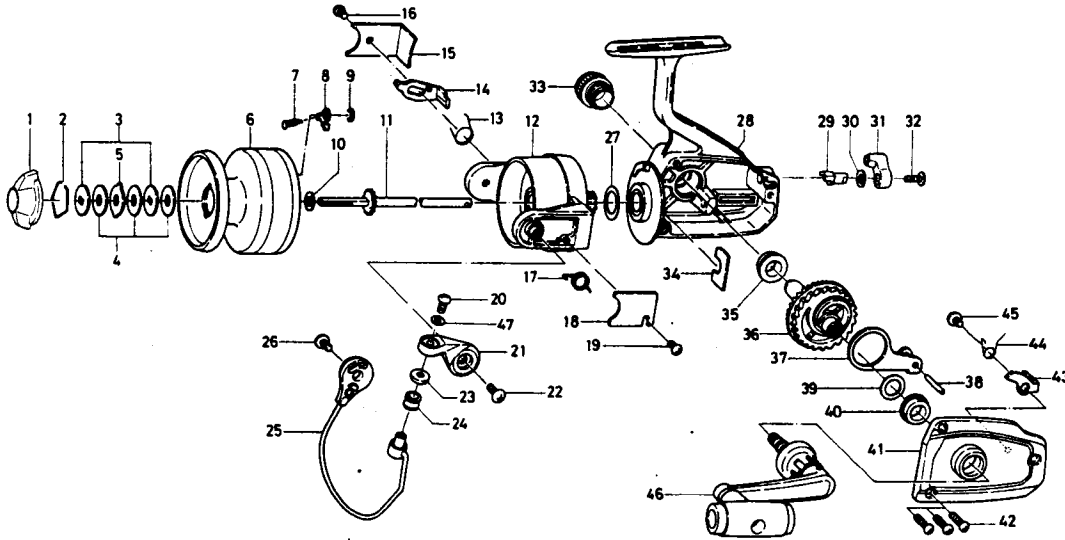


SPINNING REEL A-100X



Key No.	Parts No.	Parts Name
1	6-740-2304	Drag knob
2	6-170-7701	Drag washer retainer
3	6-374-9802	Drag D washer
4	6-374-3602	Disc washer
5	6-374-3802	Drag A washer
6	6-B17-9402	Spool
7	6-145-2101	Spool click claw spring
8	6-B07-5301	Spool click claw
9	6-320-5901	Spool click claw retainer
10	6-372-3501	Spool washer
11	6-B18-8501	Main shaft
12	6-B18-7501	Rotor
13	6-B18-8001	Bail kick lever spring
14	6-B18-8101	Bail kick lever
15	6-B18-8201	Bail kick lever cover
16	6-352-0402	Bail kick lever cover screw
17	6-B18-7701	Bail spring
18	6-B18-7901	Bail spring cover
19	6-352-0402	Bail spring cover screw
20	6-353-8202	Bail screw
21	6-B18-7801	Arm lever
22	6-353-8202	Arm lever screw
23	6-501-1401	Roller collar
24	6-250-3921	Line roller

Sold as one unit
Spool assembly
6-B17-9704

Key No.	Parts No.	Parts Name
25	6-B18-8301	Bail
26	6-353-8202	Bail holder screw
27	6-372-8600	Rotor washer
28	6-B18-7101	Body
29	6-461-7701	Anti-reverse cam
30	6-150-1751	Anti-reverse lever washer
31	6-B18-7401	Anti-reverse lever
32	6-351-8302	Anti-reverse lever screw
33	6-B22-4501	Handle screw cap
34	6-632-6601	Pinion retainer
35	6-B12-9001	Bearing metal
36	6-B18-8701	Drive gear
37	6-B19-0501	Oscillating slider
38	6-121-1211	Oscillating slider pin
39	6-373-0100	Drive gear washer
40	6-B12-9001	Bearing metal
41	6-B18-8901	Body cover
42	6-351-5904	Body cover screw
43	6-B18-9201	Anti-reverse claw
44	6-144-8211	Anti-reverse claw spring
45	6-351-7701	Anti-reverse claw screw
46	6-B18-9301	Handle
47	6-375-1001	Bail washer