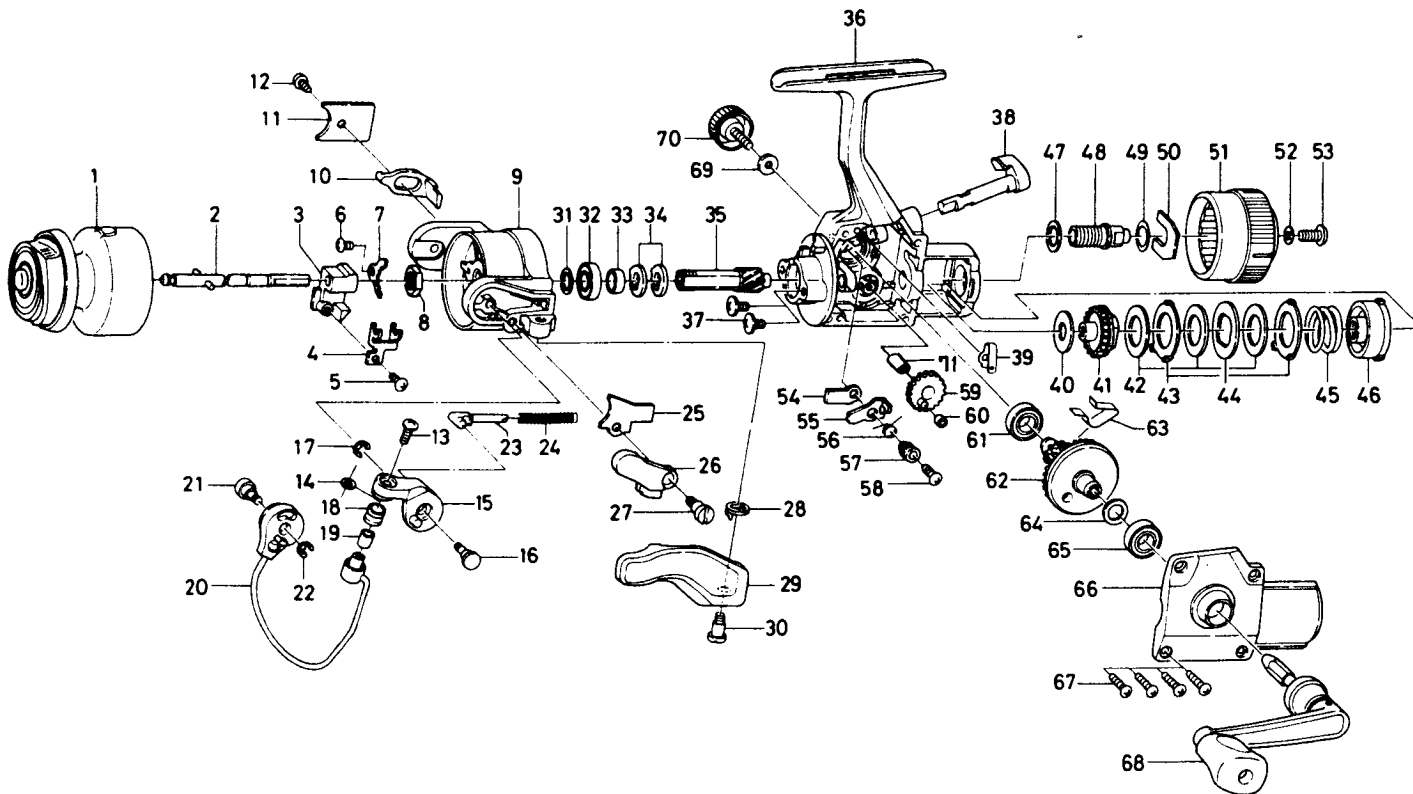


SPINNING REEL A1055T



Key No.	Parts No.	Parts Name
1	E21-6601	Spool assembly
2	E21-4401	Main shaft assembly
3	E21-4601	Oscillating slider
4	E21-4701	Oscillating slider retainer
5	351-0903	Oscillating block screw
6	B93-3001	Rotor nut holding plate screw
7	B99-5101	Rotor nut holding plate
8	341-9201	Rotor nut
9	E21-3301	Rotor assembly
10	B83-5701	Bail trip lever
11	B74-7303	Bail trip cover
12	B83-4401	Bail trip cover screw
13	B67-9302	Line roller screw
14	B55-4301	Line roller washer
15	E21-3601	Bail arm
16	E21-3701	Bail arm screw
17	320-5901	Bail arm screw retainer
18	250-3921	Line roller
19	B45-1501	Line roller bushing
20	E21-3901	Bail
21	B83-4201	Bail trip cam screw
22	320-5901	Bail trip cam screw retainer
23	E21-3501	Bail spring shaft
24	E21-3401	Bail spring
25	E21-3801	Bail spring cover
26	B67-4901	Trigger plate
27	B68-8801	Bail spring cover screw
28	B67-5201	Trigger spring
29	B67-5107	Trigger lever
30	B68-8802	Trigger screw
31	375-8505	Ball bearing retaining washer
32	637-5701	Ball bearing
33	B99-4501	Spacing sleeve
34	E21-3201	Anti-reverse ratchet
35	E21-3101	Pinion gear

Key No.	Parts No.	Parts Name
36	E21-2801	Body
37	E03-7801	Bearing retainer screw
38	E21-3001	Anti-reverse lever
39	B58-8601	Anti-reverse cam spring
40	E21-4801	Drag washer A
41	E21-4901	Click gear
42	E21-5001	Drag washer B
43	E21-5101	Eared washer
44	E21-5201	Key washer
45	E21-5301	Drag coil spring
46	E21-5501	Drag nut
47	E21-5401	Drag screw washer A
48	E21-5601	Drag screw
49	373-7810	Drag screw washer B
50	E21-5702	Drag screw retainer
51	E21-5801	Drag knob
52	375-1001	Drag knob washer
53	353-8203	Drag knob screw
54	E21-8901	Anti-reverse pawl plate
55	B95-9402	Anti-reverse pawl
56	E15-6201	Anti-reverse pawl spring A
57	E15-6101	Anti-reverse pawl collar
58	B00-8601	Anti-reverse pawl screw
59	E21-4101	Oscillating gear
60	E21-4201	Oscillating gear collar A
61	637-5701	Ball bearing
62	E20-2702	Drive gear
63	E21-4301	Anti-reverse pawl spring B
64	375-8500	Drive gear washer
65	637-5701	Ball bearing
66	E21-6201	Side cover
67	E15-8601	Side cover screw
68	E21-6501	Handle assembly
69	E20-8901	Handle lock washer
70	E00-1804	Handle lock screw
71	E23-4801	Oscillating gear collar B