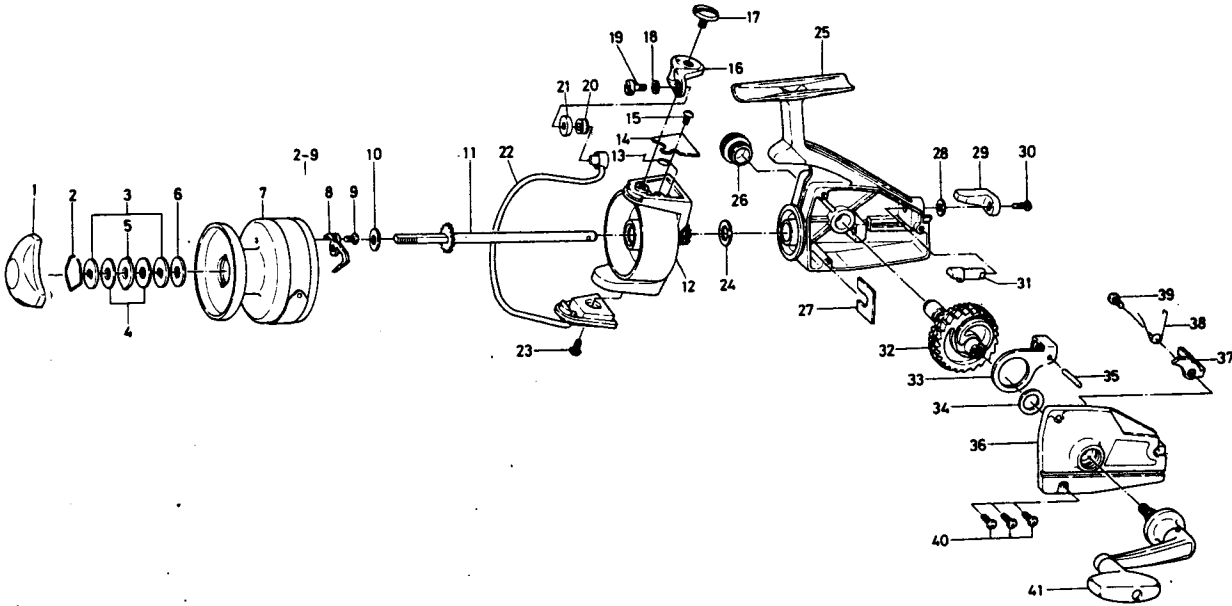


## SPINNING REEL A-150RL



Key No.	Parts No.	Parts Name	Key No.	Parts No.	Parts Name
1	6-740-2103	Drag knob	22	6-725-8401	Bail
2	6-170-4001	Drag washer retainer	23	6-351-6601	Bail holder screw
3	6-373-2502	Drag D washer	24	6-370-9800	Rotor washer
4	6-374-2901	Disc washer	25	6-701-2205	Body
5	6-375-5301	Drag A washer	26	6-363-7401	Handle screw cap
6	6-370-6901	Drag washer A	27	6-632-6601	Pinion retainer
7	6-734-0001	Spool	28	6-150-1751	Anti-reverse lever washer
8	6-030-4511	Spool click claw	29	6-540-8001	Anti-reverse lever
9	6-351-7701	Spool click claw screw	30	6-352-2501	Anti-reverse lever screw
10	6-371-8331	Spool washer	31	6-460-7041	Anti-reverse cam
11	6-710-2421	Main shaft	32	6-414-2801	Drive gear
12	6-736-8202	Rotor	33	6-480-7501	Oscillating slider
13	6-141-7821	Bail spring	34	6-371-2820	Drive gear washer
14	6-632-6501	Bail spring cover	36	6-121-1211	Oscillating slider pin
15	6-351-1801	Bail spring cover screw	36	6-705-1324	Body cover
16	6-231-3401	Arm lever	37	6-110-7201	Anti-reverse claw
17	6-362-3411	Arm lever screw	38	6-142-3961	Arni-reverse claw spring
18	6-375-1001	Bail washer	39	6-351-7701	Anti-reverse claw screw
19	6-353-1811	Bail screw	40	6-351-5901	Body cover screw
20	6-250-4221	Line roller	41	6-747-1101	Handle
21	6-501-1601	Roller collar			

Sold as one unit  
Spool assembly  
6-733-9901