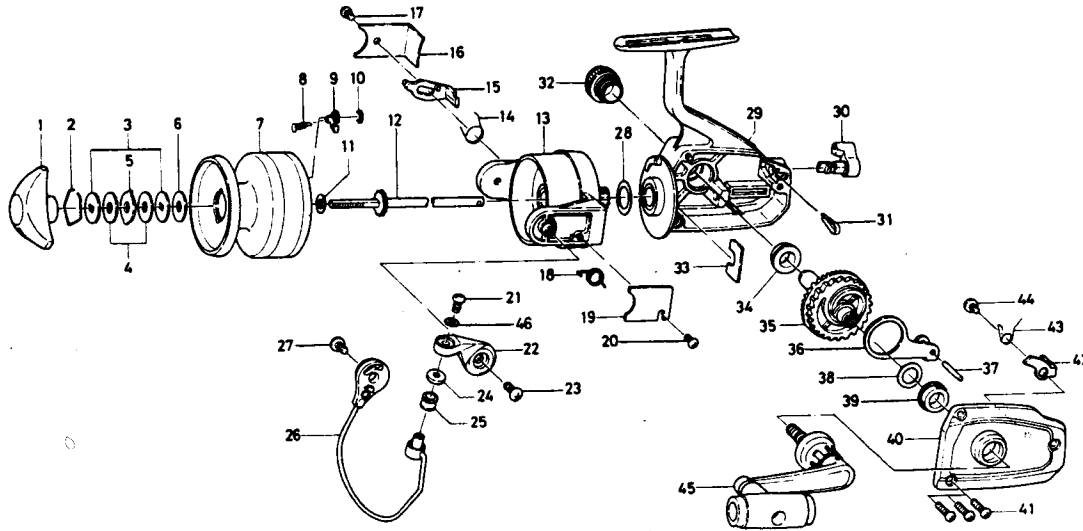


SPINNING REEL A-160X



| Key No. | Parts No. | Parts Name | |
|---------|------------|-----------------------------|------------------------------|
| 1 | 6-740-2103 | Drag knob | |
| 2 | 6-170-4001 | Drag washer retainer | |
| 3 | 6-373-2502 | Drag D washer | |
| 4 | 6-374-2901 | Disc washer | |
| 5 | 6-375-5301 | Drag A washer | Sold as one unit |
| 6 | 6-370-6901 | Drag washer A | |
| 7 | 6-B18-0402 | Spool | Spool assembly 6-B18-0603 |
| 8 | 6-145-2101 | Spool click claw spring | |
| 9 | 6-B07-5301 | Spool click claw | |
| 10 | 6-320-5901 | Spool click claw retainer | |
| 11 | 6-371-8331 | Spool washer | |
| 12 | 6-B18-5301 | Main shaft | |
| 13 | 6-B18-4201 | Rotor | |
| 14 | 6-B18-4701 | Bail kick lever spring | |
| 15 | 6-B18-4801 | Bail kick lever | |
| 16 | 6-B18-4901 | Bail kick lever cover | |
| 17 | 6-352-0402 | Bail kick lever cover screw | |
| 18 | 6-B18-4401 | Bail spring | |
| 19 | 6-B18-4601 | Bail spring cover | |
| 20 | 6-352-0402 | Bail spring cover screw | |
| 21 | 6-353-8202 | Bail screw | |
| 22 | 6-B18-4501 | Arm lever | |
| 23 | 6-353-8202 | Arm lever screw | |

| Key No. | Parts No. | Parts Name |
|---------|------------|---------------------------|
| 24 | 6-501-1601 | Roller collar |
| 25 | 6-250-4221 | Line roller |
| 26 | 6-B18-5001 | Bail |
| 27 | 6-353-8202 | Bail holder screw |
| 28 | 6-370-9800 | Rotor washer |
| 29 | 6-B18-3801 | Body |
| 30 | 6-B18-4101 | Anti-reverse lever |
| 31 | 6-B11-4301 | Anti-reverse lever spring |
| 32 | 6-B07-4704 | Handle screw cap |
| 33 | 6-632-6601 | Pinion retainer |
| 34 | 6-B07-3301 | Bearing metal |
| 35 | 6-B20-3201 | Drive gear |
| 36 | 6-480-7501 | Oscillating slider |
| 37 | 6-121-1211 | Oscillating slider pin |
| 38 | 6-371-2800 | Drive gear washer |
| 39 | 6-B07-3301 | Bearing metal |
| 40 | 6-B18-5501 | Body cover |
| 41 | 6-351-5904 | Body cover screw |
| 42 | 6-111-7101 | Anti-reverse claw |
| 43 | 6-142-3961 | Anti-reverse claw spring |
| 44 | 6-351-6102 | Anti-reverse claw screw |
| 45 | 6-B18-5801 | Handle |
| 46 | 6-375-1001 | Bail washer |