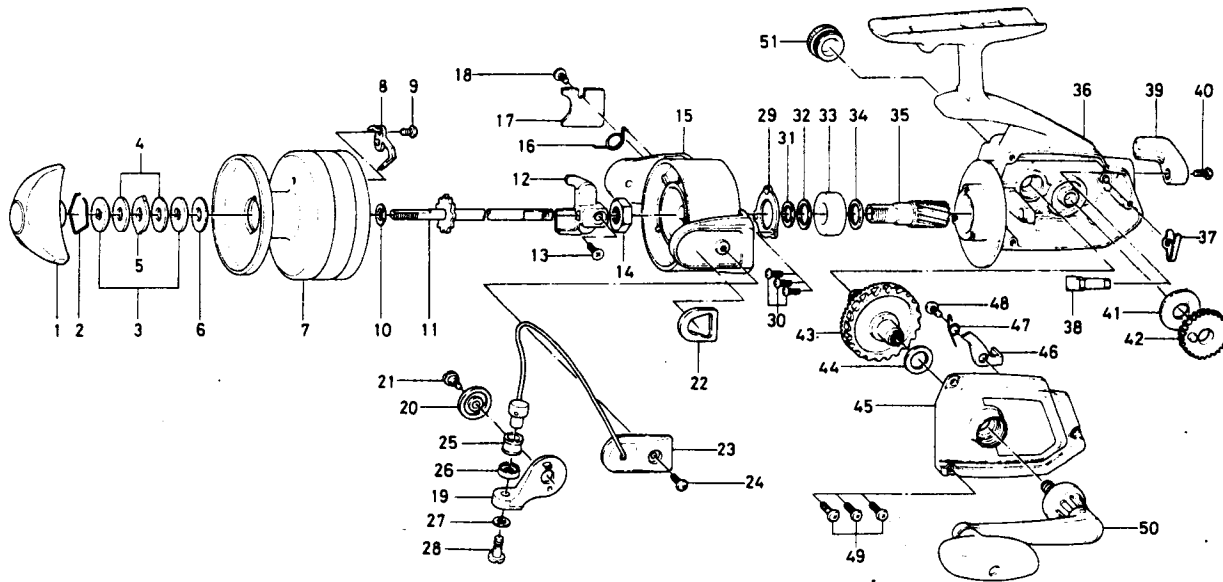


SPINNING REEL A-250RL



KEY NO. 2 ~ 9

6-734-0101

SPOOL ASSEMBLY

Key No.	Parts No.	Parts Name
1	6-740-2103	Drag knob
2	6-170-4001	Drag washer retainer
3	6-373-2502	Drag D washer
4	6-374-2901	Disc washer
5	6-375-5301	Drag A washer
6	6-370-6901	Dreg washer A
7	6-734-0201	Spool
8	6-030-4511	Spool click claw
9	6-351-6101	Spool click claw screw
10	6-374-9001	Spool washer
11	6-711-3401	Main shaft
12	6-481-2211	Oscillating slider
13	6-351-8901	Oscillating slider screw
14	6-340-8301	Rotor nut
15	6-201-7708	Rotor
16	6-145-1101	Bail spring
17	6-632-6411	Bail spring cover
18	6-351-1801	Bail spring cover screw
19	6-231-1901	Arm lever
20	6-130-3201	Bail holder cap
21	6-363-1901	Arm lever screw
22	6-210-3111	Balancer
23	6-725-5621	Bail
24	6-351-6601	Bail holder screw
25	6-250-4321	Line roller
26	6-501-2001	Roller collar

Key No.	Parts No.	Parts Name
27	6-375-1101	Bail washer
28	6-363-3111	Bail screw
29	6-634-7011	Pinion collar ret. washer
30	6-351-6601	Pinion collar ret. washer screw
31	6-372-8600	Pinion washer A
32	6-371-2822	Pinion washer B
33	6-636-2611	Shaft metal
34	6-371-2822	Pinion adjusting washer
35	6-402-4511	Pinion gear
36	6-701-0902	Body
37	6-150-6731	Anti-reverse cam spring
38	6-460-4721	Anti-reverse cam
39	6-541-3311	Anti-reverse lever
40	6-352-2501	Anti-reverse lever screw
41	6-374-6600	Oscillating gear washer
42	6-413-2212	Oscillating gear
43	6-413-8401	Drive gear
44	6-371-2800	Drive gear washer
45	6-706-7504	Body cover
46	6-110-9622	Anti-reverse claw
47	6-144-2801	Anti-reverse claw spring
48	6-351-6102	Anti-reverse claw screw
49	6-351-8501	Body cover screw
50	6-747-1401	Handle
51	6-363-7401	Handle screw cap