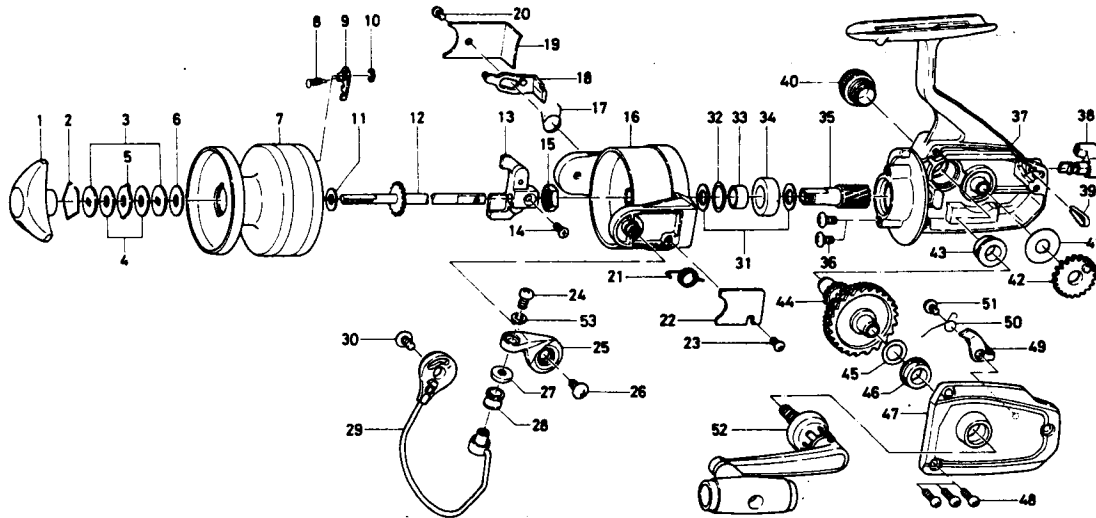


SPINNING REEL A-250X



Key No.	Parts No.	Parts Name	
1	6-740-2103	Drag knob	
2	6-170-4001	Drag washer retainer	
3	6-373-2502	Drag D washer	
4	6-374-2901	Disc washer	
5	6-375-5301	Drag A washer	Sold as one unit
6	6-370-6901	Drag washer A	
7	6-734-1703	Spool	
8	6-145-2101	Spool click claw spring	
9	6-B07-8201	Spool click claw	
10	6-320-1402	Spool click claw retainer	
11	6-374-9001	Spool washer	
12	6-B19-7901	Main shaft	
13	6-481-2211	Oscillating slider	
14	6-351-8901	Oscillating slider screw	
15	6-B10-5701	Rotor nut	
16	6-B19-7101	Rotor	
17	6-B18-4701	Bail kick lever spring	
18	6-B19-7501	Bail kick lever	
19	6-B19-7601	Bail kick lever cover	
20	6-352-0402	Bail kick lever cover screw	
21	6-B19-7201	Bail spring	
22	6-B19-7401	Bail spring cover	
23	6-352-0402	Bail spring cover screw	
24	6-B11-2801	Bail screw	
25	6-B19-7301	Arm lever	
26	6-352-1103	Arm lever screw	
27	6-501-2001	Roller collar	

Key No.	Parts No.	Parts Name
28	6-250-4321	Line roller
29	6-B19-7701	Bail
30	6-352-1103	Bail holder screw
31	6-371-2822	Pinion washer A
32	6-372-8600	Pinion washer B
33	6-501-5101	Pinion collar
34	6-636-2611	Shaft metal
35	6-402-4511	Pinion gear
36	6-353-8202	Shaft metal screw
37	6-B19-6801	Body
38	6-B18-4101	Anti-reverse lever
39	6-B11-4301	Anti-reverse lever spring
40	6-B07-4704	Handle screw cap
41	6-374-6600	Oscillating gear washer
42	6-413-2212	Oscillating gear
43	6-B07-3301	Bearing metal
44	6-413-8401	Drive gear
45	6-371-2800	Drive gear washer
46	6-B07-3301	Bearing metal
47	6-B19-8101	Body cover
48	6-351-5904	Body cover screw
49	6-110-9622	Anti-reverse claw
50	6-144-2801	Anti-reverse claw spring
51	6-351-6102	Anti-reverse claw screw
52	6-B19-8401	Handle
53	6-B11-2701	Bail washer