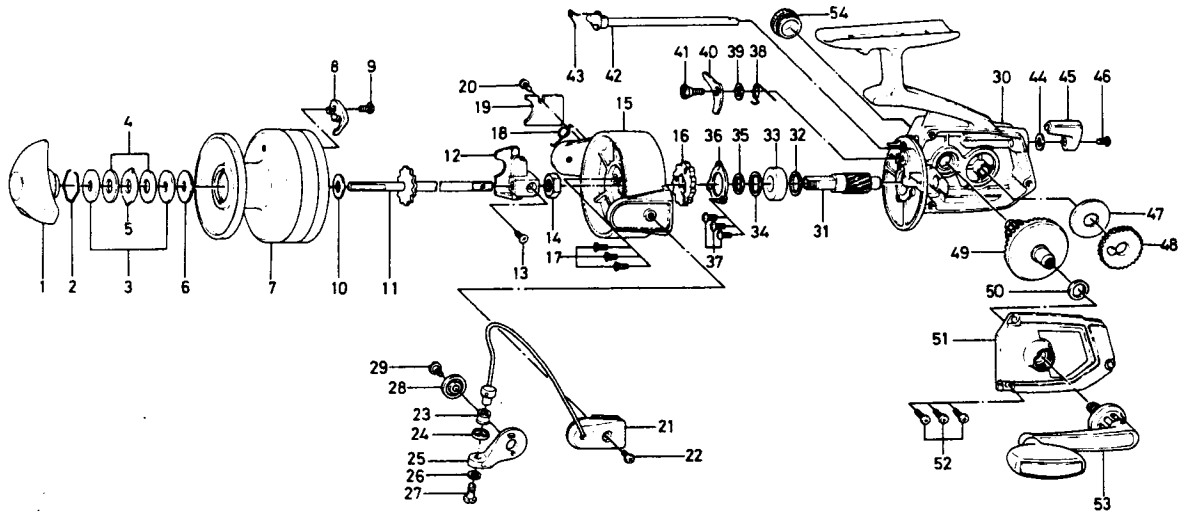


## SPINNING REEL A-400RL



**KEY NO. 2 ~ 9**  
**6-734-0301**

**SPOOL ASSEMBLY**

Key No.	Parts No.	Parts Name	Key No.	Parts No.	Parts Name
1	6-000-8241	Drag knob	28	6-130-3201	Bail holder cap
2	6-170-4511	Drag washer retainer	29	6-363-1901	Arm lever screw
3	6-372-7812	Drag D washer	30	6-701-1002	Body
4	6-372-9011	Disc washer	31	6-402-4611	Pinion gear
5	6-375-5401	Drag A washer	32	6-371-2822	Pinion adjusting washer
6	6-372-7701	Drag washer A	33	6-636-2611	Shaft metal
7	6-734-0401	Spool	34	6-371-2822	Pinion washer B
8	6-030-4411	Spool click claw	35	6-372-8600	Pinion washer A
9	6-351-6102	Spool click claw screw	36	6-634-7011	Pinion collar ret. washer
10	6-376-1701	Spool washer	37	6-351-6601	Pinion collar ret. washer screw
11	6-710-2214	Main shaft	38	6-142-3421	Anti-reverse claw spring
12	6-481-1011	Oscillating slider	39	6-373-2701	Anti-reverse claw washer
13	6-351-8901	Oscillating slider screw	40	6-110-9701	Anti-reverse claw
14	6-340-8301	Rotor nut	41	6-362-4211	Anti-reverse claw screw
15	6-201-2224	Rotor	42	6-710-6111	Anti-reverse cam
16	6-280-4101	Ratchet	43	6-144-0321	Anti-reverse cam spring
17	6-352-0901	Ratchet screw	44	6-373-2700	Anti-reverse lever washer
18	6-145-1201	Bail spring	45	6-541-1902	Anti-reverse lever
19	6-633-0701	Bail spring cover	46	6-352-2501	Anti-reverse lever screw
20	6-351-1801	Bail spring cover screw	47	6-374-5400	Oscillating gear washer
21	6-725-1219	Bail	48	6-412-3611	Oscillating gear
22	6-351-6401	Bail holder screw	49	6-413-8501	Drive gear
23	6-250-4321	Line roller	50	6-371-2800	Drive gear washer
24	6-501-2001	Roller collar	51	6-706-7602	Body cover
25	6-231-1901	Arm lever	52	6-351-8501	Body cover screw
26	6-375-1101	Bail washer	53	6-747-1502	Handle
27	6-363-3111	Bail screw	54	6-363-7401	Handle screw cap