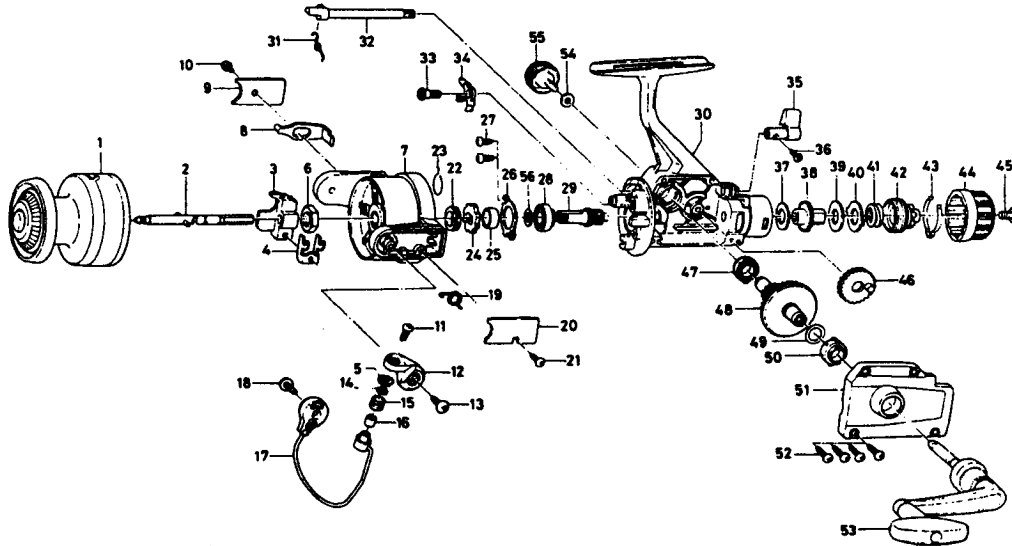


SPINNING REEL AG1650/2050



Key No.	Parts No.	Parts Name	Key No.	Parts No.	Parts Name
1	-K10-8501	Spool	34	B74-5501	Anti-reverse pawl
2	-B83-9801	Main shaft	35	E08-6102	Anti-reverse lever
3	-E08-7801	Oscillating slider	36	B12-8201	Anti-reverse lever screw
4	-B93-7202	Oscillating slider retainer	37	B46-9505	Drag washer A
5	-B97-9801	Line roller washer B	38	B76-9803	Click gear
6	-B10-5701	Rotor nut	39	373-3710	Drag washer B
7	-B82-2001	Rotor	40	-B83-9501	Eared washer
8	-B83-6701	Bail trip lever	41	-B98-2901	Drag coil spring
9	-B76-9701	Bail trip cover	42	-B77-0004	Drag screw
10	-B83-4402	Bail trip cover screw	43	-B77-0301	Drag washer spring
11	-B67-9302	Line roller screw	44	-B83-9605	Drag knob
12	-B68-1102	Bail arm	45	-352-1105	Drag knob spring screw
13	-B84-2102	Bail arm screw	46	-B74-3701	Oscillating gear
14	-B55-4301	Line roller washer A	47	-B84-3901	Bushing
15	-250-3921	Line roller	48	-K10-5601	Drive gear
16	-B45-1501	Line roller bushing	49	-373-7800	Drive gear washer
17	K10-7601	Bail	50	-B84-3901	Bushing
18	-B84-2102	Bail trip cam screw	51	-K10-8001	Side cover
19	-B18-7702	Bail spring	52	-B83-5002	Side cover screw
20	-B77-2203	Bail spring cover	53	E00-2502	Handle
21	-B83-4402	Bail spring cover screw	54	B92-4902	Handle lock washer
22	501-9901	Spring holder	55	B92-5001	Handle lock screw
23	-145-0901	Anti-reverse pawl spring	56	K10-5701	Bushing Washer
24	-280-9001	Anti-reverse ratchet			
25	-B83-6201	Spacing sleeve			
26	-B35-6301	Bearing retainer			
27	-B83-4402	Bearing retainer screw			
28	K10-5801	Bushing			
29	K10-5501	Pinion gear			
30	K10-7001	Body			
31	-144-0321	Anti-reverse cam spring			
32	B83-6001	Anti-reverse cam			
33	B83-6301	Anti-reverse pawl screw			

AG 2050 Special Parts		
1	-K10-8601	Spool
7	-B82-2201	Rotor
8	-B83-7301	Bail trip lever
17	-K10-7801	Bail
30	K10-7002	Body
51	K10-8003	Side cover
53	-E00-2802	Handle

6KY029010