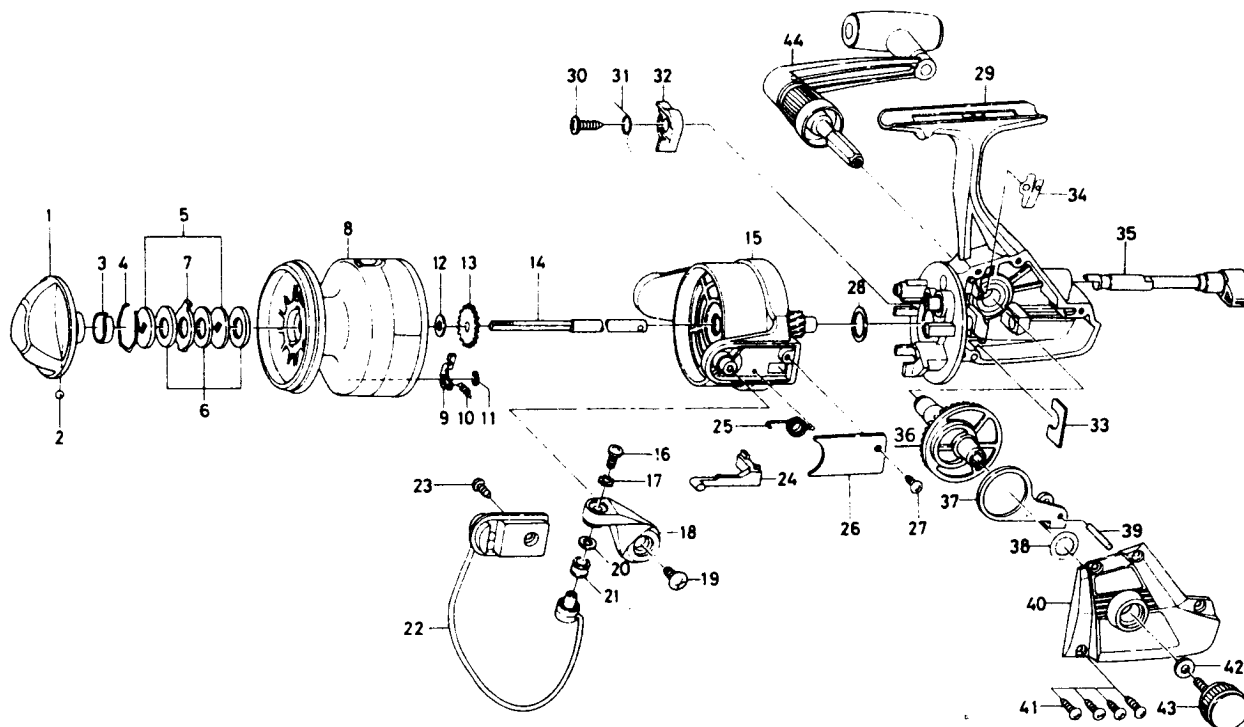


SPINNING REEL — AG2600X / 4000X



Key No. 4-11

L12-4601 Spool assembly 9.00

Key

No.	Part No.	Part Name	Price
1	L10-8601	Drag knob	6.05
2	635-4701	Click ball	.60
3	B32-8701	Click leaf spring	.95
4	171-7701	Drag washer retainer	.35
5	L03-1301	Key washer	.55
6	375-7802	Drag washer	.95
7	B89-9501	Eared washer	.60
8	L12-4701	Spool assembly	N/A
9	B07-8201	Click pawl	.85
10	145-2101	Click spring	.40
11	320-1402	Click retainer	.55
12	L10-4901	Spool washer	.35
13	L02-1401	Click gear	.95
14	L12-4501	Main shaft	2.30
15	L08-6101	Rotor assembly	6.85
16	353-9701	Line roller screw	.60
17	160-8101	Lock washer	.45
18	L06-7201	Bail arm	1.10
19	E00-7601	Bail arm screw	.45
20	373-4501	Line roller washer	.35
21	250-4221	Line roller	1.05
22	L12-4101	Bail assembly	5.80
23	L01-1702	Bail trip cam screw	.35
24	L08-6601	Bail trip lever	1.00
25	L06-7001	Bail spring	.60
26	L08-6702	Bail spring cover	.95
27	B83-4402	Bail Spring cover screw	.50

Key

No.	Part No.	Part Name	Price
28	B71-3800	Rotor washer	.40
29	L12-4001	Body assembly	8.80
30	L06-6501	Anti-reverse pawl screw	.50
31	L06-6401	Anti-reverse pawl spring	.60
32	L06-6301	Anti-reverse pawl	.95
33	632-6601	Pinion retainer	.45
34	E01-1801	Anti-reverse cam spring	.55
35	L06-6001	Anti-reverse lever	1.85
36	L02-1101	Drive gear	3.00
37	L02-1201	Oscillating slider	1.20
38	371-2824	Drive gear washer	.45
39	L02-1501	Oscillating slider pin	.55
40	L08-7104	Side cover	3.30
41	B83-5002	Side cover screw	.60
42	L02-2301	Handle lock washer	.45
43	L00-9102	Handle lock screw	1.25
44	L02-4201	Handle assembly	7.95

AG4000X Special Parts

4-11	L12-4801	Spool assembly	9.50
8	L12-4901	Spool assembly	N/A
15	L08-7501	Rotor assembly	7.20
22	L12-4301	Bail assembly	5.80
24	L08-7701	Bail trip lever	1.00
29	L12-4002	Body assembly	8.80
40	L08-7103	Side cover	3.30