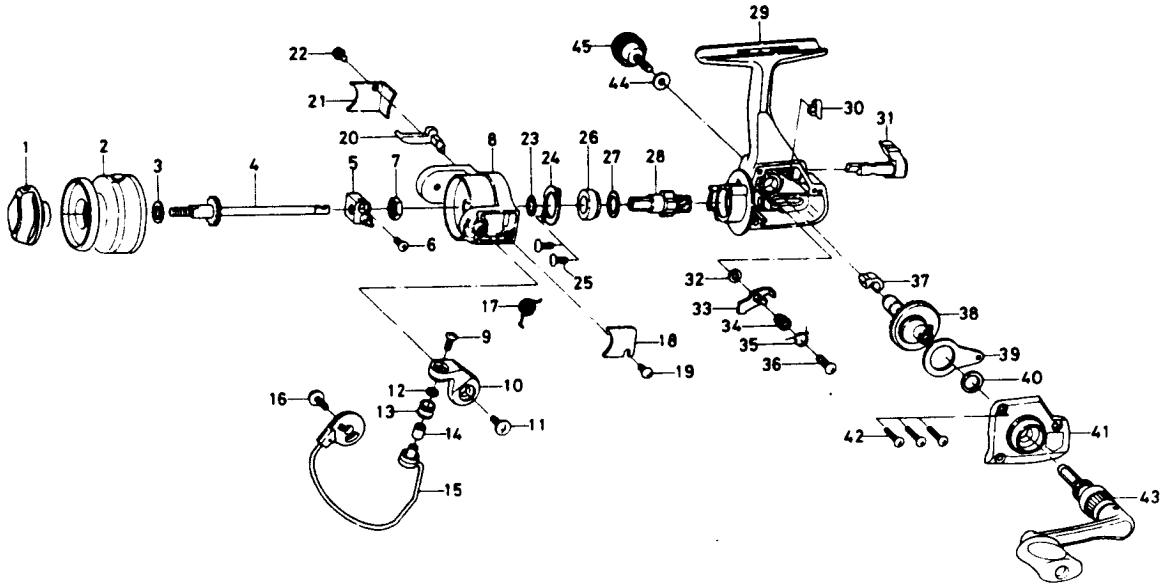


SPINNING REEL AG500



Key No.	Parts No.	Parts Name
1	K 15-4001	Drag knob
2	K 15-3002	Spool assembly
3	K 15-2901	Spool washer
4	K 15-2301	Main shaft assembly
5	K 15-4801	Oscillating support
6	K 15-6001	Oscillating support screw
7	342-4001	Rotor nut
8	K 15-1502	Rotor
9	352-2502	Line roller screw
10	K 15-1601	Bail arm
11	351-6102	Bail arm screw
12	B55-4301	Line roller washer
13	250-3921	Line roller
14	B45-1501	Line roller collar
15	K 15-1902	Bail
16	351-6102	Bail trip cam screw
17	E32-0201	Bail spring
18	K 15-4302	Bail spring cover
19	350-8913	Bail spring cover screw
20	K 15-1701	Bail trip lever
21	K 15-1802	Bail trip cover
22	350-8913	Bail trip cover screw
23	B 12-8701	Bearing washer

Key No.	Parts No.	Parts Name
24	K 15-1401	Bearing retainer
25	B93-3001	Bearing retainer screw
26	K 15-1301	Bushing
27	E03-4401	Pinion washer
28	K 15-0401	Pinion gear
29	K 15-0502	Body
30	K 15-0901	Anti-reverse cam spring
31	K 15-0802	Anti-reverse lever
32	E 15-3101	Anti-reverse pawl washer
33	K 15-1001	Anti-reverse pawl
34	E03-3001	Anti-reverse pawl collar
35	K 15-1101	Anti-reverse pawl spring
36	B00-8601	Anti-reverse pawl screw
37	K 15-2201	Drive gear collar
38	K 15-0201	Drive gear
39	K 15-2501	Oscillating slider
40	375-8501	Drive gear washer
41	K 15-2602	Side cover
42	E13-0501	Side cover screw
43	E32-1301	Handle assembly
44	B92-4901	Handle lock washer
45	E03-5502	Handle lock screw