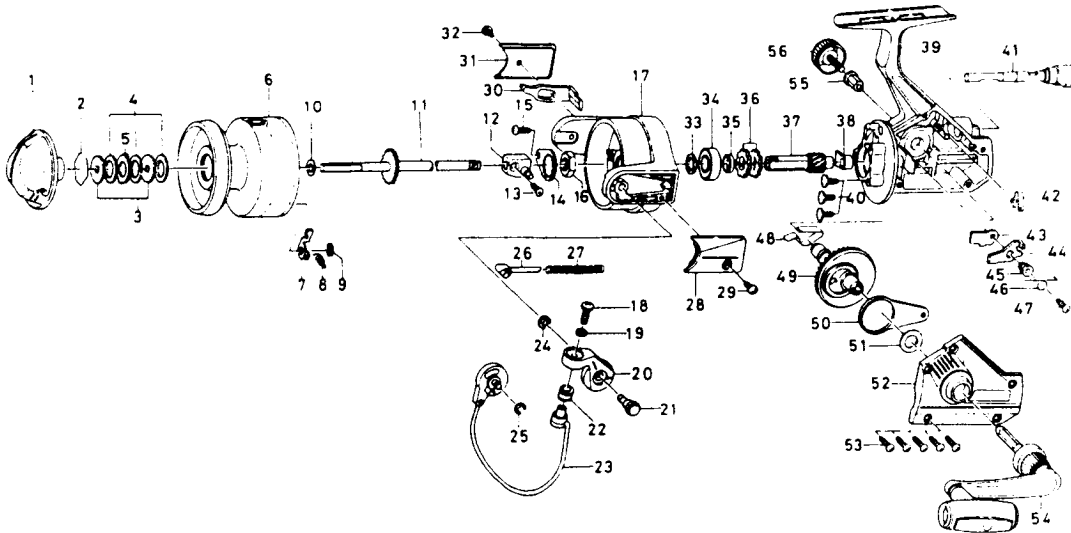


SPINNING REEL AG7000C



Key No. 1—9

K08-2001

Spool assembly

| Key No. | Parts No. | Parts Name | Key No. | Parts No. | Parts Name |
|---------|-----------|-------------------------------|---------|-----------|----------------------------|
| 1 | K12-3905 | Drag knob | 29 | K07-1501 | Bail spring cover screw |
| 2 | 171-7701 | Drag washer retainer | 30 | K07-1001 | Bail trip lever |
| 3 | L01-8002 | Key washer | 31 | K07-1102 | Bail trip cover |
| 4 | 375-7802 | Drag washer | 32 | K07-1501 | Bail trip cover screw |
| 5 | B89-9501 | Eared washer | 33 | B90-9201 | Bearing washer |
| 6 | K08-4501 | Spool assembly | 34 | 637-6101 | Ball bearing |
| 7 | B07-8201 | Click pawl | 35 | K07-0801 | Spacing sleeve |
| 8 | 145-2101 | Click pawl spring | 36 | E26-2701 | Anti-reverse ratchet |
| 9 | 320-1402 | Click pawl retainer | 37 | K07-0701 | Pinion gear |
| 10 | K08-1901 | Spool washer | 38 | K07-0601 | Pinion holder |
| 11 | K08-1401 | Main shaft assembly | 39 | K08-0601 | Body assembly |
| 12 | K07-2001 | Oscillating slider | 40 | B84-2102 | Bearing retainer screw |
| 13 | 351-8901 | Oscillating slider screw | 41 | K11-9001 | Anti-reverse lever |
| 14 | B02-1601 | Rotor nut holding plate | 42 | B58-8601 | Anti-reverse cam spring |
| 15 | L01-1702 | Rotor nut holding plate screw | 43 | K11-8601 | Anti-reverse pawl plate |
| 16 | K07-1601 | Rotor nut | 44 | K11-8701 | Anti-reverse pawl |
| 17 | K07-0901 | Rotor | 45 | K11-8801 | Anti-reverse pawl collar |
| 18 | 353-9702 | Line roller screw | 46 | K11-8901 | Anti-reverse pawl spring A |
| 19 | 160-8101 | Lock washer | 47 | K08-7802 | Anti-reverse pawl screw |
| 20 | K06-6701 | Bail arm | 48 | K12-1301 | Anti-reverse pawl spring B |
| 21 | K12-0401 | Bail arm screw | 49 | K11-5901 | Drive gear |
| 22 | 250-4221 | Line roller | 50 | L00-7901 | Oscillating support |
| 23 | K08-1201 | Bail | 51 | 371-2800 | Drive gear washer |
| 24 | 320-1402 | Bail arm screw retainer | 52 | K08-1701 | Side cover |
| 25 | 320-1402 | Bail trip cam retainer | 53 | K08-7801 | Side cover screw |
| 26 | K12-0601 | Bail spring shaft | 54 | K08-2401 | Handle assembly |
| 27 | K12-0701 | Bail spring | 55 | 501-8401 | Handle collar |
| 28 | K07-1402 | Bail spring cover | 56 | L00-9102 | Handle lock screw |